

HIGH FLOW PRESSURE REGULATOR RS(H)20

HIGH ACCURACY • BALANCED VALVE

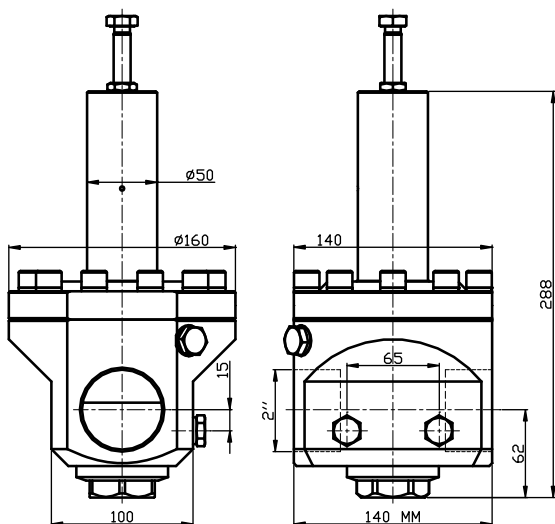


MAIN FEATURES

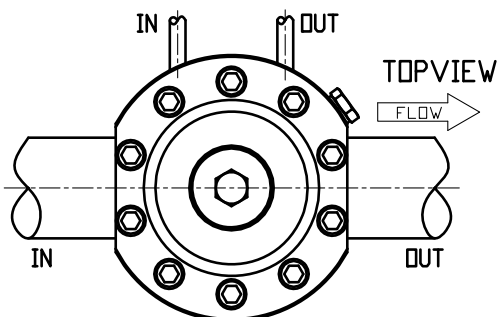
- ss 316L
- diaphragm sensing
- balanced valve
- high flow
- Cv 13
- bubble tight shut-off
- shell design according to EN 12516
- delivery according to PED

CHARACTERISTICS

Inlet pressure	: RS20	: 70 bar
	: RSH20	: 400 bar
Outlet ranges	: 0 – 20 bar	
Seat diameter	: 25 mm	
Cv (Kv)	: 13 (11)	
Materials:		
• Body & Trim	: ss 316L	
• Springhousing	: ss 316L	
• Seat insert	: RS20	: elastomer
	: RSH20	: pctfe, peek
• Seals & Diaphragm	: elastomer	
Connections:		
• Line	: 2" bspp	
	flanges to DIN / ANSI B16.5	
• Gaugeports	: 2x ¼" bspp	
Weight	: 18 kg (without flanges)	
Temperature range	: -20°C to +80°C *	



PORTING STYLE



CLEANING

This regulator is ultrasonically cleaned and degreased. Oxygen cleaning based on ASTM-G93 Level C / CGA 4.1 is optional.

Do not use teflon tape or anaerobic sealing compounds on the bspp threads.

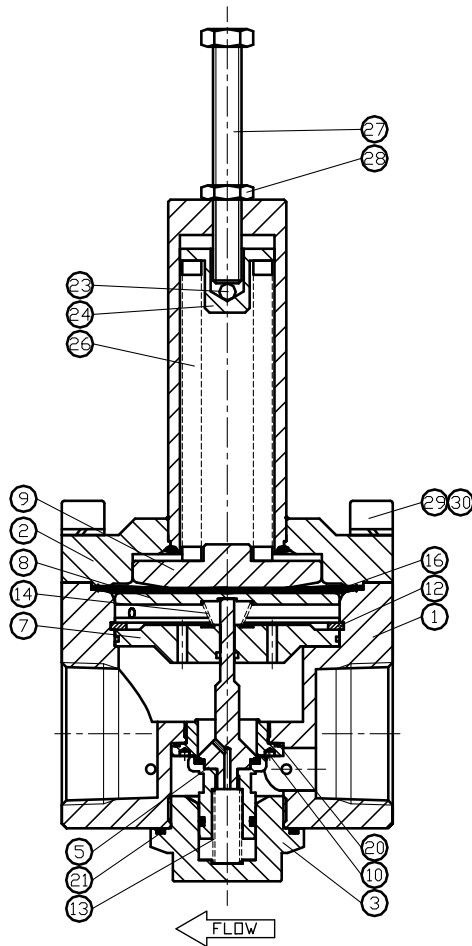
* Actual range depends on choice of seat-and seal material.

⚠ Swagelok regulators are not "Safety Accessories" as defined in the Pressure Equipment Directive 97/23/EC:

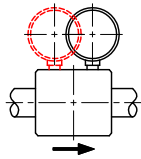
⚠ Do not use the regulator as a shut off device.

RHPS Series

Swagelok



GAUGEPORT(S)
standard:



Only one gauge Ø63 fits directly into the body.

ORDERING INFORMATION
example: RSHB20-02-4-NNK

RSH	B20		- 02	- 4	- N	N	K
series / inlet	connection	flange facing*	material	outlet range	o-rings	diaphragm	seat
RS = 70 bar RSH = 400 bar	B20 = 2" bspp N20 = 2" npt ansi flanges FA20A = 2" Class 150 FA20B = 2" Class 300 FA20C = 2" Class 600 FA20E = 2" Class 1500 FA20F = 2" Class 2500 din flanges FD20M = DN50 PN16 FD20N = DN50 PN40 FD20P = DN50 PN64 FD20R = DN50 PN250 FD20S = DN50 PN400	(if flanges are ordered) 1 = raised face smooth 3 = RTJ	02 = ss316L	ss316L: 1 = 0 - 3 bar 2 = 0 - 5 bar 3 = 0 - 10 bar 4 = 0 - 20 bar	N = nitrile E = epdm V = viton	N = nitrile E = epdm V = viton	RS: N = nitrile E = epdm V = viton RSH: K = pctfe P = peek

Red text identifies an example ordering number.

Safe Product Selection

When selecting a product, the total system design must be considered to ensure safe, trouble-free performance. Function, material compatibility, adequate ratings, proper installation, operation, and maintenance are the responsibilities of the system designer and user.

RHPS, Swagelok—TM
 Swagelok Company
 © 2010 Swagelok Company
 Printed in U.S.A., OM
 June 2010, R0
 MS-02-388-E