



Utility Ball Valve (UBV)

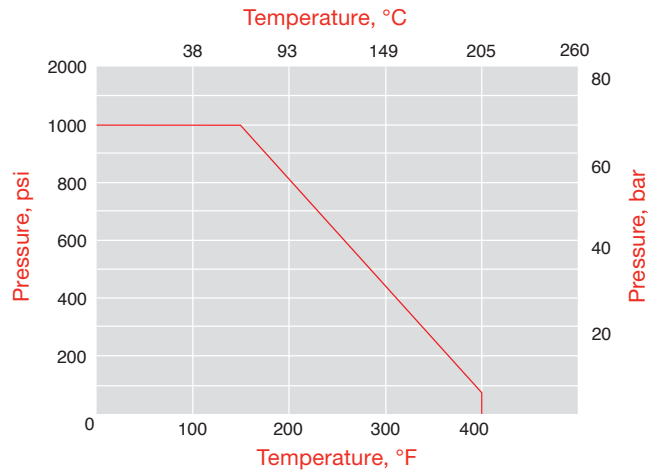
Stainless and Carbon Steel 1000 WOG 3-PC. Full Bore

Features

- ISO 9001
- The thread ends conform to ASME B1.20.1 (NPT) ISO 228/1 (BSP) ISO 7/1 (BSPT)
- Investment casting
- Anti blow-out stem
- Full bore
- 1000 W.O.G.
- 15% glassfiber fill PTFE reinforced seat
- Mounting pad drilled and tapped
- Latch lock handle

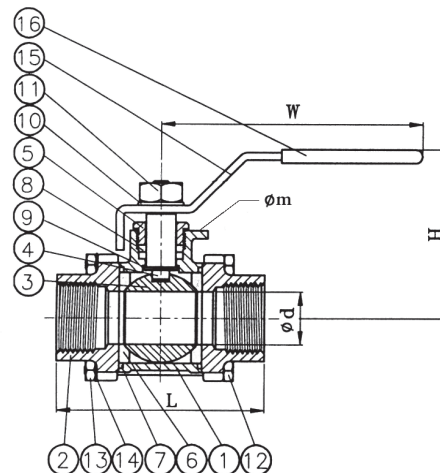


Pressure-Temperature Ratings



Item	Parts	Material	
		Stainless Steel	Carbon Steel
1	Body	ASTM A351-CF8M	ASTM A216-WCB
2	Cap	ASTM A351-CF8M	ASTM A216-WCB
3	Ball	ASTM A351-CF8M	
4	Stem	ASTM A276-316	
5	Gland Nut	AISI 304	
6	Ball Seat	*R-PTFE	
7	Body Seal	PTFE	
8	Packing	PTFE	
9	Thrust Washer	PTFE	
10	Spring Washer	AISI 304	
11	Stem Nut	AISI 304	
12	Bolt	AISI 304	
13	Bolt Nut	AISI 304	
14	Spring Washer	AISI 304	
15	Handle	AISI 304	
16	Handle Sleeve	PVC	

*R-PTFE=15% Glassfiber filled PTFE



NPS	d	L		H		W		m	WT LBS		Part Number		
		NPT	BSP/BSPT	NPT	BSP/BSPT	NPT	BSP/BSPT		NPT	BSP	BSPT		
1/4"	0.46	2.56	2.17	2.13	2.3	4.69	3.94	M5	0.99	0.82	-025	-BSP025	-BSPT025
3/8"	0.50	2.56	2.36	2.13	2.3	4.69	3.94	M5	0.95	0.82	-038	-BSP038	-BSPT038
1/2"	0.59	2.60	2.95	2.24	2.44	4.69	3.94	M5	1.54	1.1	-050	-BSP050	-BSPT050
3/4"	0.79	3.28	3.15	2.48	2.44	5.33	4.92	M5	1.98	1.59	-075	-BSP075	-BSPT075
1"	0.98	3.74	3.54	3.19	3.03	6.24	5.87	M5	2.98	2.29	-100	-BSP100	-BSPT100
1 1/4"	1.26	4.38	4.33	3.39	3.23	6.24	5.87	M5	4.85	3.64	-125	-BSP125	-BSPT125
1 1/2"	1.50	5.11	4.72	3.78	3.94	7.40	7.48	M6	6.39	5.29	-150	-BSP150	-BSPT150
2"	1.97	5.94	5.51	4.29	4.25	7.60	7.48	M8	10.14	7.61	-200	-BSP200	-BSPT200

Safe Product Selection

When selecting a product, the total system design must be considered to ensure safe, trouble-free performance. Function, material compatibility, adequate ratings, proper installation, operation, and maintenance are the responsibilities of the system designer and user.

△UBV ball valves are designed to be used in the fully open or fully closed position