



Utility Ball Valve (UBV)

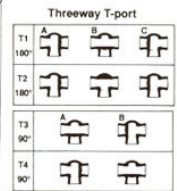
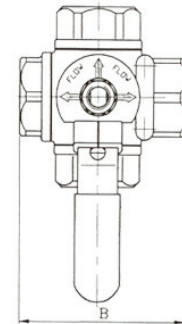
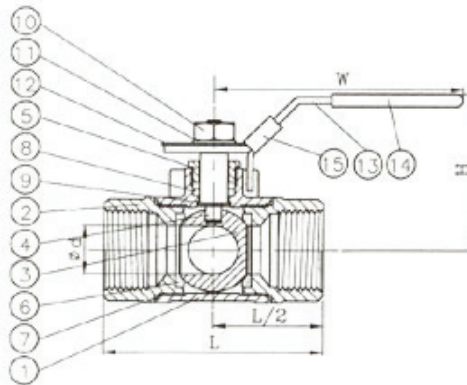
Stainless Steel 1000 WOG 3-PC. Standard Bore, T-Port

Features

- ISO 9002
- The thread ends conform to ASME B 1.20.1(NPT) ISO 228/1 (BSP) & ISO 7/1 (BSPT) DIN 2999 & BS21
- Investment casting
- Anti blow-out stem
- 1000 psi W.O.G.
- Standard Bore
- 15 % glass fiberfill PTFE reinforced seat
- Mounting pad drilled and tapped
- T Port
- Latch lock handle



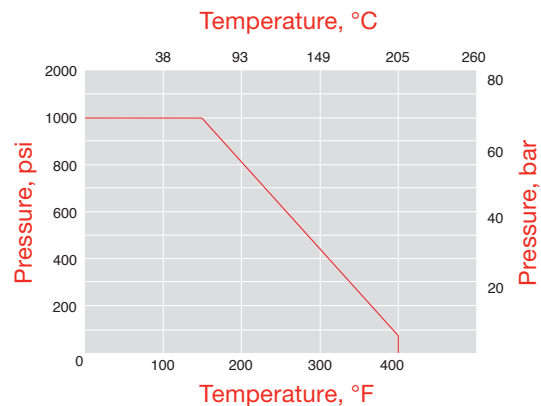
Item	Parts	Material
1	Body	ASTM A351-CF8M
2	Cap	ASTM A351-CF8M
3	Ball	ASTM A351-CF8M
4	Stem	ASTM A276-316
5	Gland Nut	AISI 304
6	Ball Seat	R-PTFE
7	Body Seal	PTFE
8	Packing	PTFE
9	Thrust Washer	PTFE
10	Stem Nut	AISI 304
11	Spring Washer	AISI 304
12	Name Plate	ALUMINUM
13	Handle	AISI 304
14	Handle Sleeve	PVC
15	Lock	AISI 304



*R-PTFE=15 % Glassfiber filled PTFE

SIZE	ød	L	H	W	B	Cv	WT LBS	Torque in. ·lb	Part Number
1/2"	0.5	2.95	2.32	4.96	1.48	6	1.3	43.4	3T66RT-050
3/4"	0.63	3.35	2.52	4.96	1.57	12	2.2	60.8	3T66RT-075
1"	0.79	3.94	3.15	5.71	2.03	14	3.8	108.5	3T66RT-100
1-1/4"	0.98	4.53	3.74	5.71	2.26	24	5.1	108.5	3T66RT-125
1-1/2"	1.26	4.92	3.78	8.03	2.48	30	7.5	130.2	3T66RT-150
2"	1.5	5.83	4.17	8.03	2.87	50	11.7	238.7	3T66RT-200

Pressure-Temperature Ratings



△UBV ball valves are designed to be used in the fully open or fully closed position.

Safe Product Selection

When selecting a product, the total system design must be considered to ensure safe, trouble-free performance. Function, material compatibility, adequate ratings, proper installation, operation, and maintenance are the responsibilities of the system designer and user.