



# Utility Ball Valve (UBV)

Stainless Steel 2-PC. Full Bore, ANSI Flanged

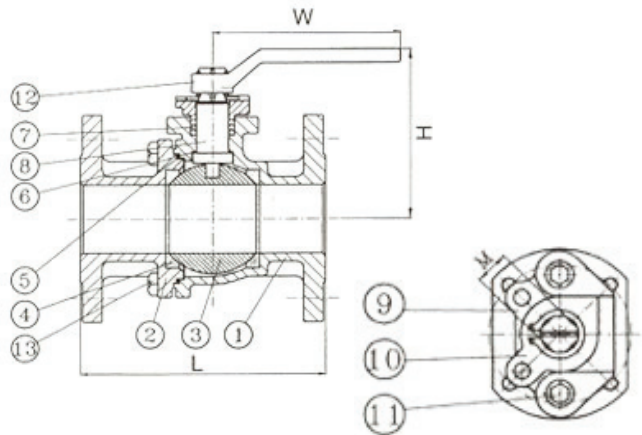
## Features

- ISO 9002
- Face to Face: ANSI B 16.10  
Wall thickness: ANSI B 16.34
- Investment casting
- Anti blow-out stem
- Full bore
- Class 150 and 300
- 15 % glass fiberfill PTFE reinforced seat
- PTFE seal & packing
- ISO mounting pad
- Locking handle



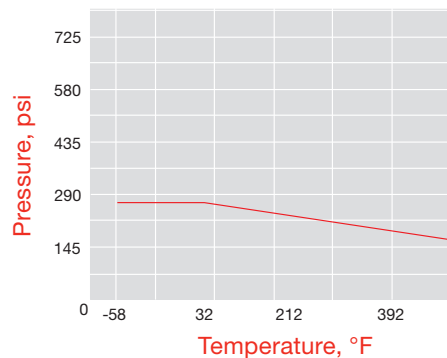
Item	Parts	Material
1	Body	ASTM A351-CF8M
2	Cap	ASTM A351-CF8M
3	Ball	ASTM A351-CF8M
4	Seat	ASTM A276-316 RTFE
5	Body Seal	RTFE
6	Thrust Washer	RTFE
7	Packing	RTFE
8	Stem	ASTM A276-316
9	Gland Ring	ASTM A276-316
10	Stopper	ASTM A240-304
11	Gland	ASTM A351-CF8
12	Handle	ASTM A36(A536)
13	Nut	ASTM A194-8A

\*R-PTFE=15 % Glassfiber filled PTFE



SIZE	L		H	W	M	WT LBS		Torque in. -lb	Part Number (266F)	
	150	300				150	300		Class 150	Class 300
1/2"	4.32	5.6	2.92	5.2	0.44	3.79	5.42	35	150-050	300-050
3/4"	4.68	6.12	3.04	5.2	0.44	4.48	7.65	35	150-075	300-075
1"	5.08	6.6	3.44	6.4	0.56	6.64	10.4	88	150-100	300-100
1-1/4"	5.6	—	3.64	6.4	0.56	8.29	—	177	150-125	—
1-1/2"	6.5	7.6	4.76	8.2	0.68	13.27	20.5	177	150-150	300-150
2"	7	8.64	5.08	8.2	0.68	18.69	25.77	354	150-200	300-200
2-1/2"	7.5	—	5.44	13	0.68	30.12	—	486	150-250	—
3"	8	11.28	6.56	13	0.88	40.17	57.96	708	150-300	300-300
4"	9	12.2	7	13	0.88	61.2	86.64	1062	150-400	300-400

## Pressure-Temperature Ratings



△UBV ball valves are designed to be used in the fully open or fully closed position.

## Safe Product Selection

When selecting a product, the total system design must be considered to ensure safe, trouble-free performance. Function, material compatibility, adequate ratings, proper installation, operation, and maintenance are the responsibilities of the system designer and user.