

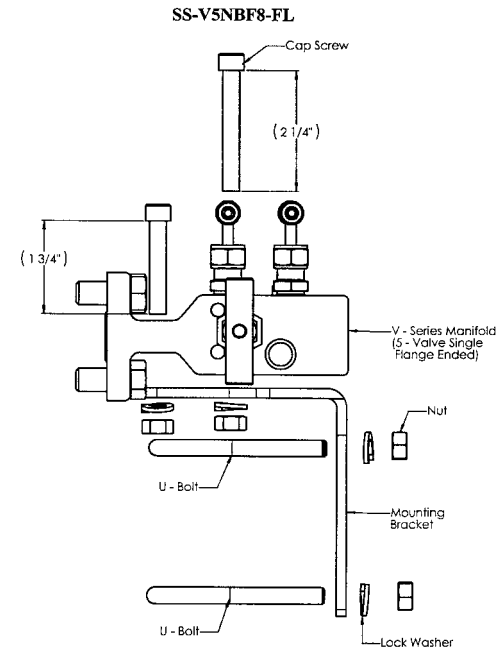
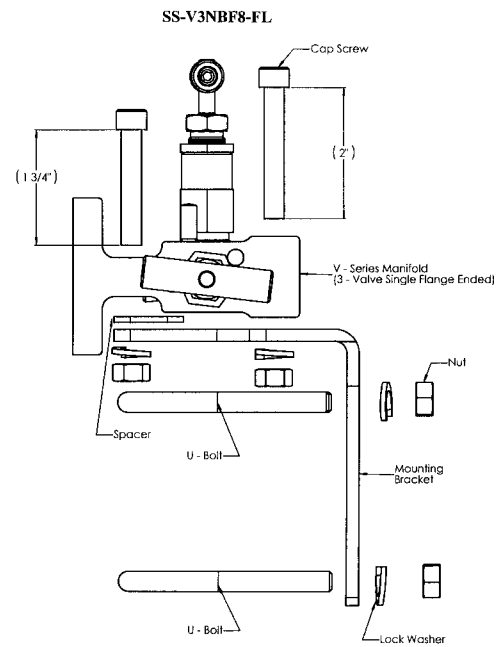
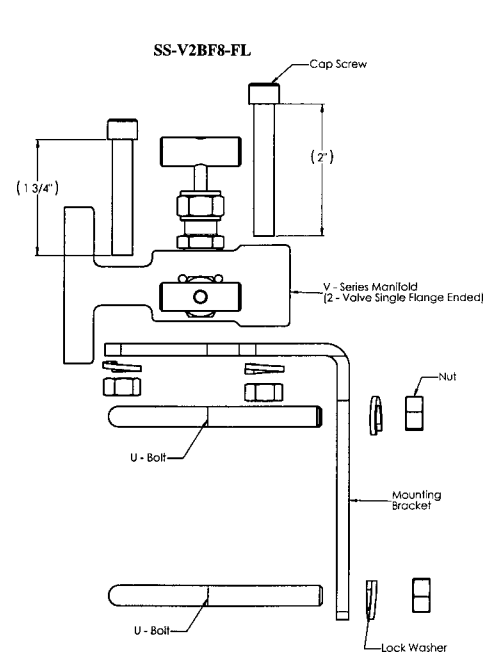
**MOUNTING INSTRUCTIONS** MS-INS-UNV-MB-V  
**FOR V-SERIES SINGLE FLANGE** Revision A  
**ENDED 2, 3, & 5-VALVE MANIFOLDS** August, 1999  
 CP  
 (WITH UNIVERSAL MOUNTING BRACKET)

**Mounting Bracket Kit Contents:**

1 Bracket	2 U-bolts	4 Cap screws
6 Nuts	6 Lock washers	1 Spacer
	Mounting Instructions	

1. Position the mounting bracket directly under the manifold body. Refer to appropriate drawing. Make sure the bracket and manifold bolt holes are aligned.
2. Insert a (1 3/4") cap screw towards the flange end down through the top of the manifold body, spacer (3-valve only), and mounting bracket. Insert a (2" or 2 1/4") cap screw through the non-flange end down through the top of the manifold body and mounting bracket. Install the lock washers and nuts. Torque to 160 in.·lbs. (18 N·m).
3. The mounting bracket is designed to fit 2" support pipes in either a horizontal or vertical position. This is done by positioning the U-bolts either horizontally or vertically through the hole pattern of the bracket.
4. Install the U-bolts around the pipe and through the mounting bracket. Install the lock washers and nuts. Torque to 160 in.·lbs. (18 N·m).
5. Discard unused cap screws.

**Swagelok**  
 www.swagelok.com



©1999 Swagelok Company

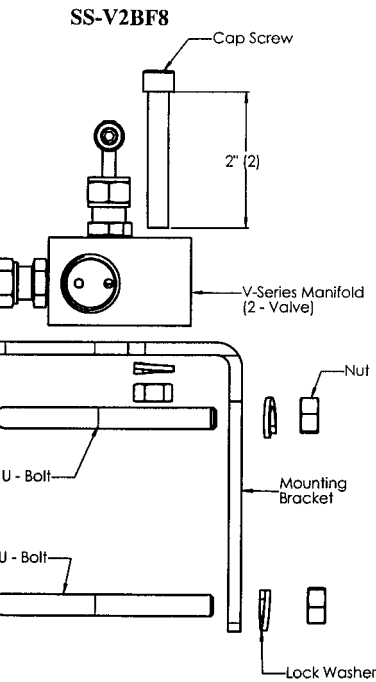
**Swagelok**  
 www.swagelok.com

**MOUNTING INSTRUCTIONS** MS-INS-UNV-MB-V  
**FOR V SERIES BLOCK TYPE** Revision A  
**2 AND 3 VALVE MANIFOLDS** August, 1999  
 (WITH UNIVERSAL MOUNTING BRACKET) CP

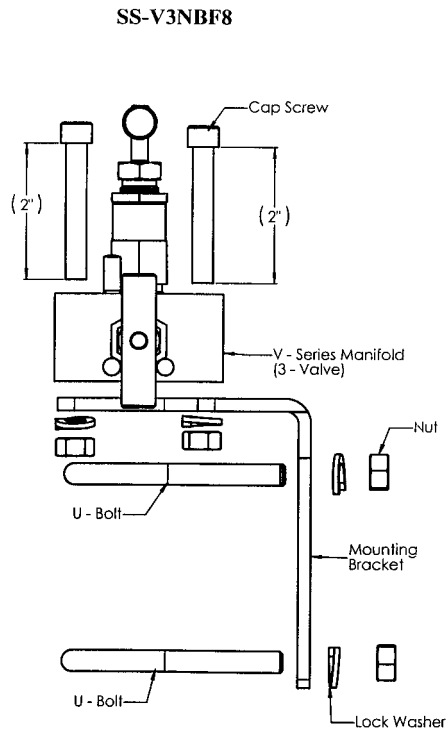
Mounting Bracket Kit Contents:  
 1 Bracket      2 U-bolts      4 Cap screws  
 6 Nuts        6 Lock washers      1 Spacer  
 Mounting Instructions

1. Position the mounting bracket directly under the manifold body. Refer to appropriate drawing. Make sure the bracket and manifold bolt holes are aligned.
2. Insert 2 cap screws (2") down through the top of the manifold body and mounting bracket. Install the lock washers and nuts. Torque to 160 in.·lbs. (18 N·m)
3. The mounting bracket is designed to fit 2" support pipes in either a horizontal or vertical position. This is done by positioning the U-bolts either horizontally or vertically through the hole pattern of the bracket.
4. Install the U-bolts around the pipe and through the mounting bracket. Install the lock washers and nuts. Torque to 160 in.·lbs. (18 N·m).
5. Discard unused cap screws and spacer.

**Swagelok**  
 www.swagelok.com



©1999 Swagelok Company



**Swagelok**  
 www.swagelok.com