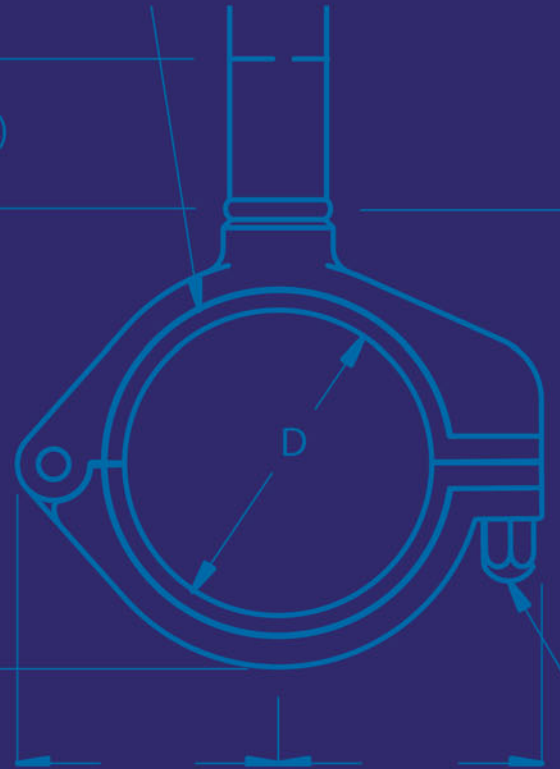
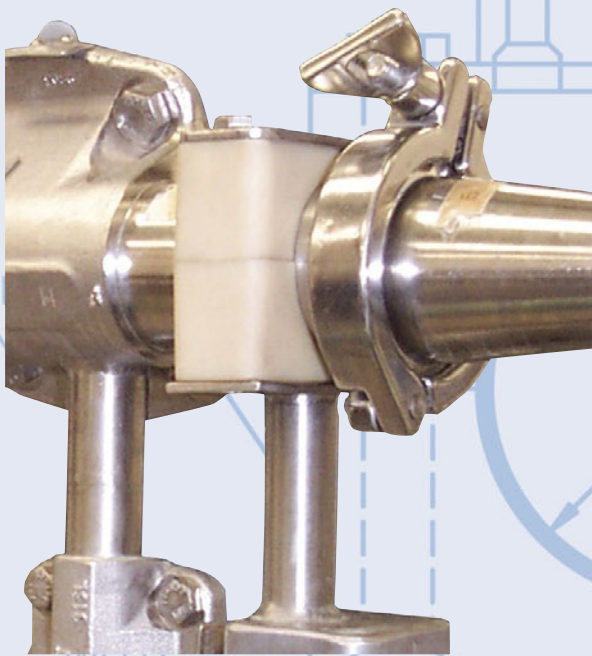
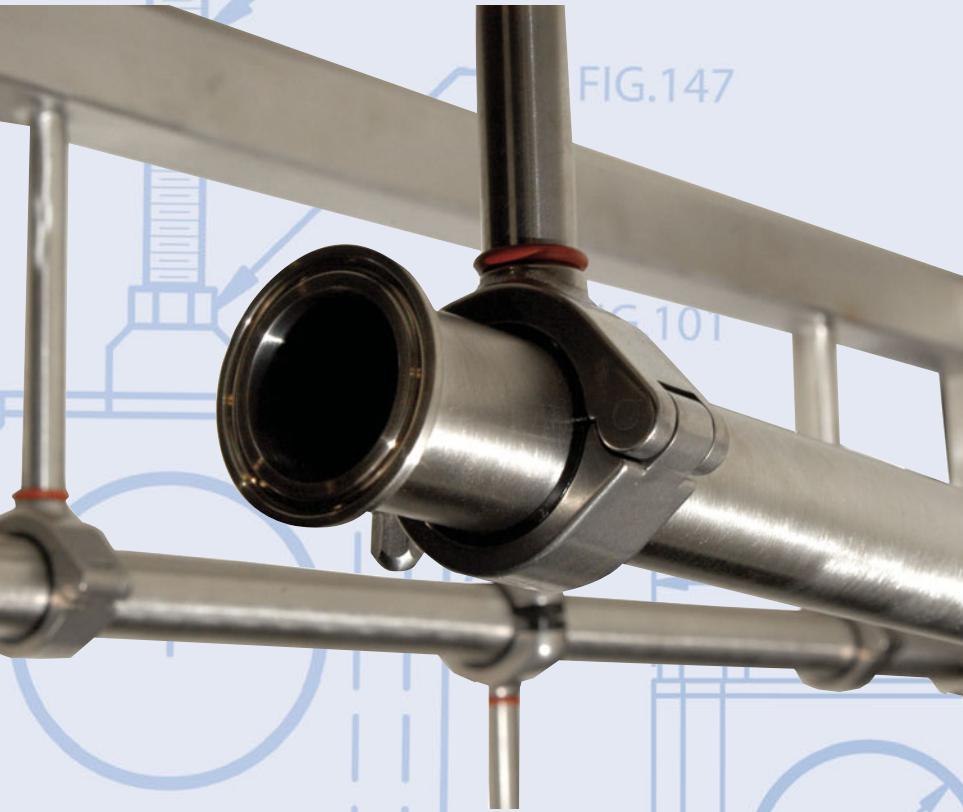


BEHRINGER®

*The Best
Solution For
Process
Piping
Installations*



*17 Ridge Road
Branchville, N.J.
07826*

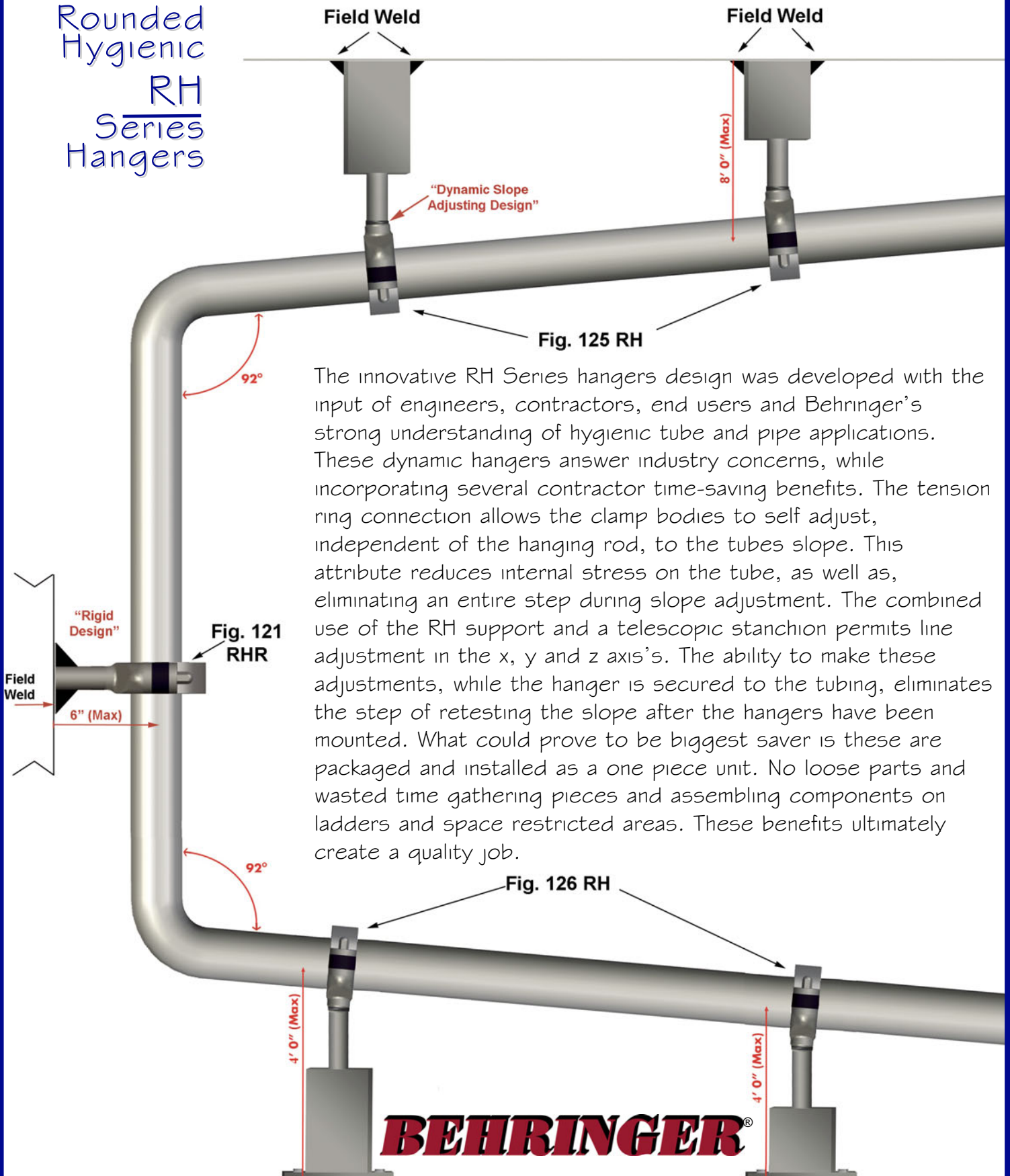
Phone: 973-948-0226

Fax: 973-948-2562

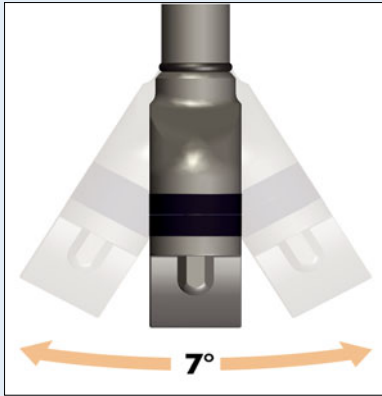
*www.behringersystems.com
cserv@behringersystems.com*

RH SERIES HAS ALL YOUR ANGLES COVERED...

Rounded
Hygienic
RH
Series
Hangers



The innovative RH Series hangers design was developed with the input of engineers, contractors, end users and Behringer's strong understanding of hygienic tube and pipe applications. These dynamic hangers answer industry concerns, while incorporating several contractor time-saving benefits. The tension ring connection allows the clamp bodies to self adjust, independent of the hanging rod, to the tubes slope. This attribute reduces internal stress on the tube, as well as, eliminating an entire step during slope adjustment. The combined use of the RH support and a telescopic stanchion permits line adjustment in the x, y and z axis's. The ability to make these adjustments, while the hanger is secured to the tubing, eliminates the step of retesting the slope after the hangers have been mounted. What could prove to be biggest saver is these are packaged and installed as a one piece unit. No loose parts and wasted time gathering pieces and assembling components on ladders and space restricted areas. These benefits ultimately create a quality job.



Automatic Slope Adjustment

Tension Ring connection allows hanger body to adjust 7° to tube slope and rotate 360° to relieve all unnecessary stresses between tube and “RH” support



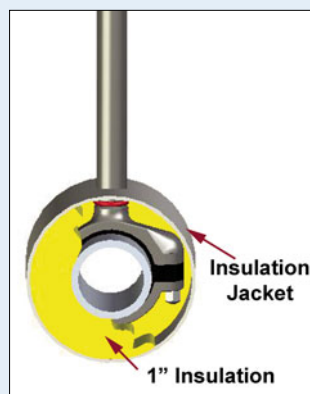
Telescopic - Elevation Adjustment

RH Series with Stanchion allows for quick x, y and z axis adjustment for ease in locating tube’s direction, elevation and slope.



One Piece unit

Assembled as a one piece unit: no loose parts, quick identification and swift installation



Sized for Insulation

Up to 4" tube size, Behringer “RH” Series Support will be buried within 1" insulation

Table of Contents

FIG. 121 RH DYNAMIC HANGER/ BAR MOUNT UNIT	Pages 2 - 3
FIG. 121 RHT HANGER/THREAD MOUNT UNIT	Pages 4 - 5
FIG. 121RHW SUPPORT/WELD PLATE MOUNTED	Pages 6 - 7
FIG. 121 RHR HANGER/RIGID BAR MOUNT	Pages 8 - 9
FIG. 100 BLOCK STYLE WELD PLATE MOUNT	Page 10
FIG. 101 BLOCK STYLE HANG PLATE MOUNT	Page 11
FIG. 102 BLOCK STYLE SLOTTED BASE PLATE MOUNT	Page 12
FIG. 103 BLOCK STYLE RAL-1 RAIL MOUNTING	Page 13
FIG. 104 BLOCK STYLE STACKING KIT	Page 14
FIG. 109 BLOCK STYLE ANCHOR CLAMP	Page 15
FIG. 111 BLOCK STYLE STRUT MOUNT CLAMP	Page 16
FIG. 121 BLOCK STYLE ROD MOUNT	Page 17
FIG. 125 TELESCOPIC ADJUSTING STANCHION "HANG MOUNT"	Page 18
FIG. 126 TELESCOPIC ADJUSTING STANCHION "FLOOR MOUNT STAND"	Page 19
FIG. 145 THREADED SUPPORT ROD	Page 20
FIG. 151 SANITARY CLAMPS	Pages 21
TECHNICAL DATA MATERIAL PROPERTIES, SLOPE CONVERSION CHART, SHEAR FORCE DIAGRAM	
Pages 22-24	

FIG. 121 RH (PATENT No. US D553, 971 S) **DYNAMIC HANGER/BAR MOUNT UNIT**



**Dynamic "Anchor or Guide" Slope Adjusting Hanger/ Rod Mount Unit
304 Stainless Steel**

One piece unit with attached 6" dynamic rod. Hanger rods are available in lengths ranging from min of 1.26" to 96"

Features: A dynamic union between the hanger rod and hanger housing allows for the housing to self adjust to the tubes slope for drainability as well as a 360° swivel. A 6" rod is the standard length with other lengths available. Fig 121 RH can also be used in combination with the figure 125 or 126 stan-chions. This combination will allow the support to be adjusted telescopically to the tube or pipe elevation. Call customer service for the price and avail-ability of special rod lengths.

Size Range: 0.24" diameters through 6.125" diameter

Hardware: 304 stainless steel (Standard), 316 stainless steel and carbon steel as an option

Finish: Stainless steel at a 25 RA

Plastic: Polysulfone (Black; Anchor and Gray; Guide)

Shearing: Anchors - Refer to shear force diagram in technical section
Guides - Allow for thermal expansion of tube or pipe

Housing with Black inserts are "Anchor" supports



Housing with Gray inserts are "Guide" supports

Fig 121RH "Slope Adjusting Hanger" - Part Number Configurator

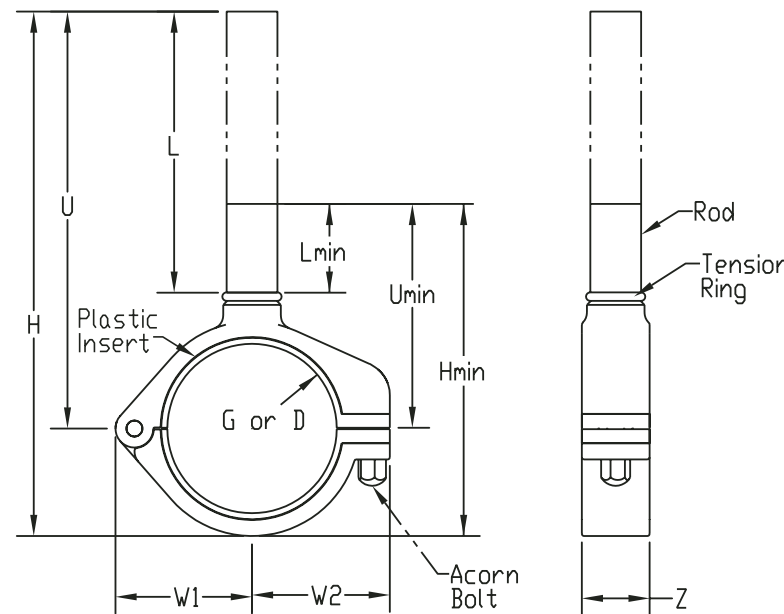
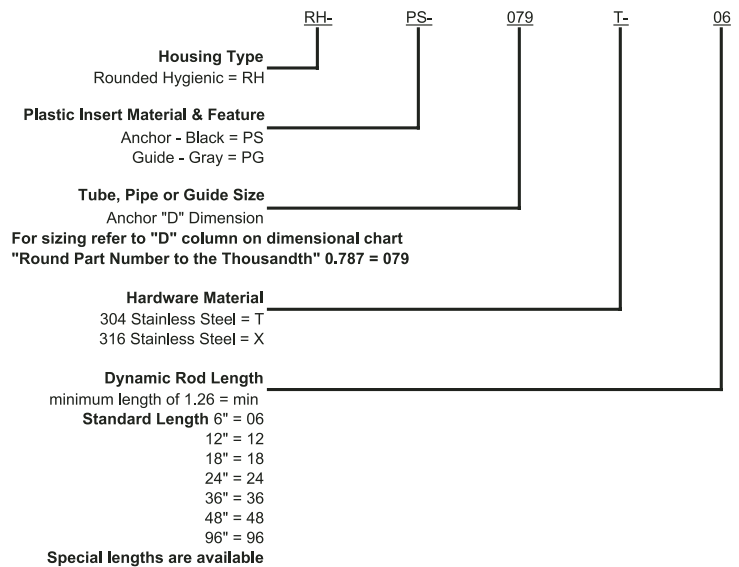


FIG. 121 RH (PATENT No. US D553, 971 S) **DYNAMIC HANGER/BAR MOUNT UNIT**

Group No.	Stainless Tube	Pipe	Copper Tube	ISO 1127 / DIN 11850	121 RH		UNIVERSAL DIMENSIONS AMONGST HOUSINGS						121 RH		
					Part Number (-PS- as displayed is an Anchor & -PG- would make a Guide)	"D" Anchor Plastic	"G" Guide Plastic	Dimension (mm)						"A" Rod Diameter	Weights Lbs (Kilos)
								W1	W2	Z	L (min)	U (min)	H (min)		
1	1/4"			6 mm	RH-PS-024-T-06	0.236	0.258	1.01	1.02	1.00	1.36	2.33	2.91		
				8 mm	RH-PS-032-T-06	0.315	0.337								
				10 mm	RH-PS-038-T-06	0.375	0.397								
				12 mm	RH-PS-039-T-06	0.393	0.415								
				12.7 mm	RH-PS-047-T-06	0.472	0.494								
2	1/2"			13 mm	RH-PS-050-T-06	0.500	0.522	(26)	(26)	(25.4)	(35)	(59)	(74)		
				14 mm	RH-PS-054-T-06	0.540	0.562								
				15 mm	RH-PS-055-T-06	0.552	0.574								
3	3/4"			16 mm	RH-PS-059-T-06	0.590	0.612	1.13	1.15	1.00	1.36	2.45	3.16		
				18 mm	RH-PS-063-T-06	0.625	0.647								
				18 mm	RH-PS-063-T-06	0.708	0.730								
				19 mm	RH-PS-071-T-06	0.708	0.730								
				19 mm	RH-PS-075-T-06	0.750	0.772								
4	1"			20 mm	RH-PS-079-T-06	0.787	0.809	1.26	1.28	1.00	1.36	2.57	3.41		
				21.3 mm	RH-PS-084-T-06	0.840	0.862								
				22 mm	RH-PS-087-T-06	0.866	0.888								
				23 mm	RH-PS-088-T-06	0.875	0.897								
				23 mm	RH-PS-091-T-06	0.905	0.927								
5	1 1/2"			24 mm	RH-PS-094-T-06	0.944	0.966	(32)	(33)	(25.4)	(35)	(65)	(87)		
				24 mm	RH-PS-094-T-06	1.000	1.022								
				26.9 mm	RH-PS-105-T-06	1.050	1.072								
				28 mm	RH-PS-106-T-06	1.059	1.081								
				28 mm	RH-PS-110-T-06	1.102	1.124								
6	2"			29 mm	RH-PS-113-T-06	1.125	1.147	1.50	1.54	1.00	1.36	2.82	3.90	0.75	1.35
				29 mm	RH-PS-114-T-06	1.142	1.164								
				30 mm	RH-PS-118-T-06	1.181	1.203								
				30 mm	RH-PS-131-T-06	1.315	1.337								
				33.7 mm	RH-PS-133-T-06	1.326	1.348								
7	2 1/2"			34 mm	RH-PS-134-T-06	1.338	1.360	(38)	(39)	(25.4)	(35)	(72)	(99)	(19)	(0.61)
				35 mm	RH-PS-138-T-06	1.378	1.400								
				35 mm	RH-PS-138-T-06	1.378	1.400								
				36 mm	RH-PS-142-T-06	1.417	1.439								
				36 mm	RH-PS-142-T-06	1.417	1.439								
8	3"			40 mm	RH-PS-150-T-06	1.500	1.522	1.76	1.79	1.00	1.36	3.07	4.41		
				41 mm	RH-PS-158-T-06	1.575	1.597								
				41 mm	RH-PS-161-T-06	1.614	1.636								
				42 mm	RH-PS-163-T-06	1.625	1.647								
				42 mm	RH-PS-165-T-06	1.654	1.676								
9	4"			42.4 mm	RH-PS-167-T-06	1.669	1.691	(45)	(46)	(25.4)	(35)	(78)	(112)		
				48.3 mm	RH-PS-190-T-06	1.900	1.922								
				48.3 mm	RH-PS-190-T-06	1.900	1.922								
				52 mm	RH-PS-205-T-06	2.047	2.069								
				53 mm	RH-PS-209-T-06	2.087	2.109								
10	6"			54 mm	RH-PS-213-T-06	2.125	2.147	2.02	2.03	1.00	1.36	3.32	4.90		
				60.3 mm	RH-PS-237-T-06	2.375	2.397								
				60.3 mm	RH-PS-237-T-06	2.375	2.397								
				63.5 mm	RH-PS-250-T-06	2.500	2.522								
				63.5 mm	RH-PS-250-T-06	2.500	2.522								
11	8"			70.0 mm	RH-PS-276-T-06	2.756	2.778	2.27	2.28	1.00	1.36	3.57	5.40		
				76.1 mm	RH-PS-288-T-06	2.875	2.897								
				76.1 mm	RH-PS-288-T-06	3.000	3.022								
				76.1 mm	RH-PS-300-T-06	3.000	3.022								
				76.1 mm	RH-PS-300-T-06	3.000	3.022								
12	10"			85 mm	RH-PS-313-T-06	3.125	3.147	2.76	2.79	1.00	1.36	4.07	6.40		
				88.9 mm	RH-PS-335-T-06	3.346	3.368								
				88.9 mm	RH-PS-335-T-06	3.346	3.368								
				88.9 mm	RH-PS-350-T-06	3.500	3.522								
				88.9 mm	RH-PS-350-T-06	3.500	3.522								
13	12"			104 mm	RH-PS-409-T-06	4.094	4.116	3.01	3.09	1.00	1.36	4.31	6.90		
				114.3 mm	RH-PS-413-T-06	4.125	4.147								
				114.3 mm	RH-PS-413-T-06	4.125	4.147								
				114.3 mm	RH-PS-450-T-06	4.500	4.522								
				114.3 mm	RH-PS-450-T-06	4.500	4.522								
14	18"			129 mm	RH-PS-508-T-06	5.078	5.100	3.98	4.46	1.50	1.78	5.82	9.40	1.00	6.25
				154 mm	RH-PS-600-T-06	6.000	6.022								
				154 mm	RH-PS-600-T-06	6.063	6.085								
				154 mm	RH-PS-606-T-06	6.063	6.085								
				154 mm	RH-PS-606-T-06	6.063	6.085								
15	24"			154 mm	RH-PS-613-T-06	6.125	6.147	(101)	(113)	(38)	(45)	(148)	(239)	(25.4)	(2.84)
				154 mm	RH-PS-613-T-06	6.125	6.147								



Housing with Black inserts are "Anchor" supports



Housing with Gray inserts are "Guide" supports

Fig. 121 RHT 304 Stainless Steel Threaded "Anchor or Guide" Hanger
One piece unit with threaded adaptor. Rod is sold separately

Features: The threaded mounting section, on top of clamp shell, doubles as a threaded rod connector and a welding platform. This type rod connection does not offer the dynamic slope adjustment feature. Figure 121 RHT, with a rod, can also be used in combination with the figure 125 or 126 stanchions. This combination will allow the support to be adjusted telescopically to the tube or pipe elevation. Call customer service for the price and availability of special rod lengths.

Size Range: 0.24" diameters through 6.125" diameter covering imperial tube and pipe size and metric ISO and DIN sizes

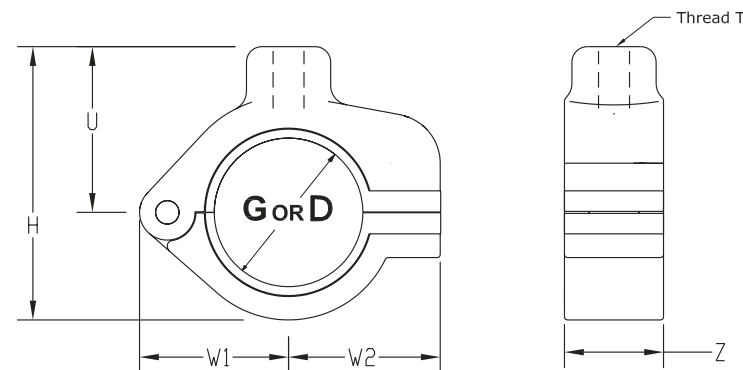
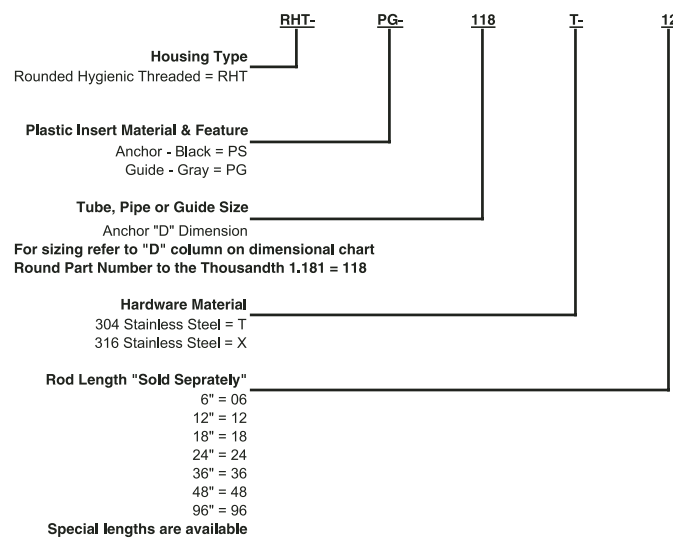
Hardware: 304 stainless steel (Standard), 316 stainless steel and carbon steel as an option

Finish: Stainless steel at a 25 RA

Plastic: Polysulfone (Black; Anchor and Gray; Guide)

Shearing: Anchors - Refer to shear force diagram in technical section
Guides - Allow for thermal expansion of tube or pipe

Fig 121RHT "Rigid Thread Mounted" Hanger - Part Number Configurator



Group No.	Stainless Tube	Pipe	Copper Tube	ISO 1127 / DIN 11850	121 RHT		UNIVERSAL DIMENSIONS AMONGST HOUSINGS						121 RHT		
					Part Number (-PG- as displayed is a Guide & -PS- would make an Anchor)	"D" Anchor Plastic	"G" Guide Plastic	Dimension in (mm)						Rod Sold Separately	Weights Lbs (Kilos)
								W1	W2	Z	U	H	T		
1	1/4"			6 mm	RHT-PG-024-T	0.236	0.258	1.01	1.02	1.00	1.30	1.89			
					RHT-PG-025-T	0.250	0.272								
	3/8"			8 mm	RHT-PG-032-T	0.315	0.337								
					RHT-PG-038-T	0.375	0.397								
	1/2"			10 mm	RHT-PG-039-T	0.393	0.415								
					RHT-PG-047-T	0.472	0.494								
				RHT-PG-050-T	0.500	0.522									
			13 mm	RHT-PG-051-T	0.512	0.534									
2	1/4"			14 mm	RHT-PG-054-T	0.540	0.562	1.13	1.15	1.00	1.40	2.11			
					RHT-PG-055-T	0.552	0.574								
	1/2"			15 mm	RHT-PG-059-T	0.590	0.612								
					RHT-PG-063-T	0.625	0.647								
					RHT-PG-071-T	0.708	0.730								
			19 mm	RHT-PG-075-T	0.750	0.772									
3	1/2"			20 mm	RHT-PG-079-T	0.787	0.809	1.26	1.28	1.00	1.50	2.34			
					RHT-PG-084-T	0.840	0.862								
	3/4"			22 mm	RHT-PG-087-T	0.866	0.888								
					RHT-PG-088-T	0.875	0.897								
					RHT-PG-091-T	0.905	0.927								
			24 mm	RHT-PG-094-T	0.944	0.966									
			1"	RHT-PG-100-T	1.000	1.022									
4	3/4"			26.9 mm	RHT-PG-105-T	1.050	1.072	1.5	1.54	1.00	1.67	2.76	3/8"-16	1/2"	
					RHT-PG-106-T	1.059	1.081								
	1"			28 mm	RHT-PG-110-T	1.102	1.124								
					RHT-PG-113-T	1.125	1.147								
	1"			29 mm	RHT-PG-114-T	1.142	1.164								
					RHT-PG-118-T	1.181	1.203								
					RHT-PG-131-T	1.315	1.337								
					RHT-PG-133-T	1.326	1.348								
				34 mm	RHT-PG-134-T	1.338	1.360								
				35 mm	RHT-PG-138-T	1.378	1.400								
			36 mm	RHT-PG-142-T	1.417	1.439									
			1 1/2"	RHT-PG-150-T	1.500	1.522									
5	1 1/2"			40 mm	RHT-PG-158-T	1.575	1.597	1.76	1.79	1.00	1.83	3.17			
					RHT-PG-161-T	1.614	1.636								
	1 1/2"			41 mm	RHT-PG-163-T	1.625	1.647								
					RHT-PG-165-T	1.654	1.676								
	2"			42.4 mm	RHT-PG-167-T	1.669	1.691								
					RHT-PG-190-T	1.900	1.922								
			48.3 mm	RHT-PG-200-T	2.000	2.022									
6	2"			52 mm	RHT-PG-205-T	2.047	2.069	2.02	2.03	1.00	2.08	3.67	5/8"	0.60	
					RHT-PG-209-T	2.087	2.109								
	2"			54 mm	RHT-PG-213-T	2.125	2.147								
					RHT-PG-237-T	2.375	2.397								
				63.5 mm	RHT-PG-250-T	2.500	2.522								
7	2 1/2"			70.0 mm	RHT-PG-276-T	2.756	2.778	2.27	2.28	1.00	2.31	4.15		0.65	
					RHT-PG-288-T	2.875	2.897								
				76.1 mm	RHT-PG-300-T	3.000	3.022								
8	3"			85 mm	RHT-PG-313-T	3.125	3.147	2.76	2.79	1.00	3.03	5.37	1/2"-13	3/4"	
					RHT-PG-335-T	3.346	3.368								
	4"			88.9 mm	RHT-PG-350-T	3.500	3.522								
					RHT-PG-400-T	4.000	4.022								
8A	4"			104 mm	RHT-PG-409-T	4.094	4.116	3.01	3.09	1.00	3.28	5.87	1/2"-13	3/4"	
					RHT-PG-413-T	4.125	4.147								
				114.3 mm	RHT-PG-450-T	4.500	4.522								
9	6"			129 mm	RHT-PG-508-T	5.078	5.100	3.98	4.46	1.50	4.46	8.04	3/4"-10	1"	
					RHT-PG-600-T	6.000	6.022								
	6"			154 mm	RHT-PG-606-T	6.063	6.085								
					RHT-PG-613-T	6.125	6.147								

Anchors plastics are Black
Guides plastics are Gray
* Rod sold separately See Fig 145 for rod part numbers

Formerly Fig. 100 RHW 304 Stainless Steel

One piece unit with weld plate attached to hanger housing.
Rigid "Anchor or Guide" Support with Weld Plate



Housing with Black inserts are "Anchor" supports

Features: Rounded housing is mounted on a weld plate. This type rod connection does not offer the dynamic slope adjustment feature. The rigid hanger is ideal for supporting vertical runs and reducing vibrations.

Size Range: 0.24" diameters through 6.125" diameter covering imperial tube and pipe size and metric ISO and DIN sizes

Hardware: 304 stainless steel (Standard), 316 stainless steel and carbon steel as an option

Finish: Stainless steel at a 25 RA

Plastic: Polysulfone (Black; Anchor and Gray; Guide)

Shearing: Anchors - Refer to shear force diagram in technical section
Guides - Allow for thermal expansion of tube or pipe



Housing with Gray inserts are "Guide" supports

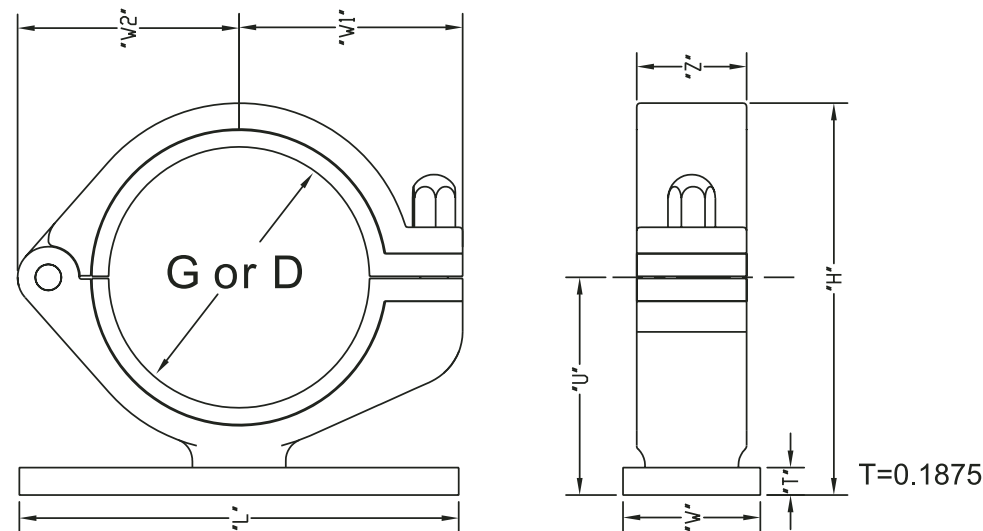
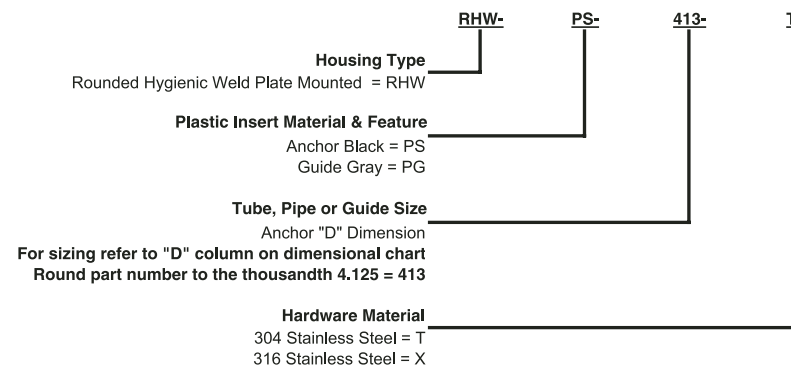


Fig 121RHW "Weld Plate Mounted" Support - Part Number Configurator



Group No.	Stainless Tube Pipe Copper Tube	ISO 1127 / DIN 11850	121 RHW		UNIVERSAL DIMENSIONS AMONGST HOUSINGS				121 RHW												
			Part Number (-PS- as displayed is an Anchor & -PG- would make a Guide)	"D" Anchor Plastic	"G" Guide Plastic	Dimension (mm)							Weights Lbs (Kilos)								
						W1	W2	Z	U	H	L	W									
1	1/4"	6 mm	RHW-PS-024-T	0.236	0.258	1.01	1.02	1.00	1.35	1.94	2.50	0.61	(0.28)								
		8 mm	RHW-PS-025-T	0.250	0.272																
	3/8"	10 mm	RHW-PS-032-T	0.315	0.337																
		12 mm	RHW-PS-038-T	0.375	0.397																
		12 mm	RHW-PS-039-T	0.393	0.415																
1/2"	12.7 mm	RHW-PS-047-T	0.472	0.494	(26)	(26)	(25.4)	(34)	(49)	(64)	(0.30)	(0.32)									
	13 mm	RHW-PS-050-T	0.500	0.522																	
2	1/4"	14 mm	RHW-PS-054-T	0.540	0.562	1.13	1.15	1.00	1.45	2.16	2.50	0.66	(0.30)								
		15 mm	RHW-PS-055-T	0.552	0.574																
	1/2"	16 mm	RHW-PS-059-T	0.590	0.612																
		16 mm	RHW-PS-063-T	0.625	0.647																
		18 mm	RHW-PS-071-T	0.708	0.730																
3/4"	19 mm	RHW-PS-075-T	0.750	0.772	(29)	(29)	(25.4)	(37)	(55)	(64)	(0.32)	(0.34)									
3	1/2"	20 mm	RHW-PS-079-T	0.787									0.809								
		21.3 mm	RHW-PS-084-T	0.840									0.862								
		22 mm	RHW-PS-087-T	0.866									0.888								
	3/4"	23 mm	RHW-PS-088-T	0.875									0.897	1.26	1.28	1.00	1.55	2.39	2.50	0.71	(0.32)
		23 mm	RHW-PS-091-T	0.905	0.927																
1"	24 mm	RHW-PS-094-T	0.944	0.966	(32)	(33)	(25.4)	(43)	(64)	2.50	0.76	(0.34)									
		RHW-PS-100-T	1.000	1.022																	
4	3/4"	26.9 mm	RHW-PS-105-T	1.050	1.072	1.5	1.54	1.00	1.72	2.81	2.50	1.19	0.76								
		28 mm	RHW-PS-106-T	1.059	1.081																
	1"	28 mm	RHW-PS-110-T	1.102	1.124																
		29 mm	RHW-PS-113-T	1.125	1.147																
	1"	30 mm	RHW-PS-114-T	1.142	1.164									(38)	(39)	(25.4)	(44)	(71)	2.50	(30)	(34)
		30 mm	RHW-PS-118-T	1.181	1.203																
		33.7 mm	RHW-PS-131-T	1.315	1.337																
		34 mm	RHW-PS-133-T	1.326	1.348																
		34 mm	RHW-PS-134-T	1.338	1.360																
		35 mm	RHW-PS-138-T	1.378	1.400																
1 1/2"	36 mm	RHW-PS-142-T	1.417	1.439	2.00	2.02	2.00	2.02	2.02	2.02	2.02	2.02									
		RHW-PS-150-T	1.500	1.522																	
5	1 1/2"	40 mm	RHW-PS-158-T	1.575	1.597	1.76	1.79	1.00	1.88	3.22	4.00	0.81	(0.37)								
		41 mm	RHW-PS-161-T	1.614	1.636																
		42 mm	RHW-PS-163-T	1.625	1.647																
	42.4 mm	RHW-PS-165-T	1.654	1.676																	
	48.3 mm	RHW-PS-167-T	1.669	1.691																	
2"		RHW-PS-190-T	1.900	1.922	(45)	(46)	(25.4)	(48)	(82)	4.00	(0.37)										
		RHW-PS-200-T	2.000	2.022																	
6	2"	52 mm	RHW-PS-205-T	2.047	2.069	2.02	2.03	1.00	2.13	3.72	4.00	0.95	(0.43)								
		53 mm	RHW-PS-209-T	2.087	2.109																
		54 mm	RHW-PS-213-T	2.125	2.147																
	60.3 mm	RHW-PS-237-T	2.375	2.397																	
	63.5 mm	RHW-PS-250-T	2.500	2.522																	
2 1/2"		70.0 mm	RHW-PS-276-T	2.756	2.778	2.27	2.28	1.00	1.36	4.20	5.00	1.01	(0.46)								
			RHW-PS-288-T	2.875	2.897																
			RHW-PS-300-T	3.000	3.022																
8	3"	85 mm	RHW-PS-313-T	3.125	3.147	2.76	2.79	1.00	3.08	5.42	6.00	1.10	(0.50)								
		88.9 mm	RHW-PS-335-T	3.346	3.368																
	4"		RHW-PS-350-T	3.500	3.522																
8A	4"	104 mm	RHW-PS-400-T	4.000	4.022	3.01	3.09	1.00	3.33	5.92	6.50	1.40	(0.63)								
			RHW-PS-409-T	4.094	4.116																
			RHW-PS-413-T	4.125	4.147																
9	6"	114.3 mm	RHW-PS-450-T	4.500	4.522	3.98	4.46	1.50	4.51	8.09	8.00	5.00	(2.27)								
			RHW-PS-508-T	5.078	5.100																
		RHW-PS-600-T	6.000	6.022																	
		RHW-PS-606-T	6.063	6.085																	
	6"		RHW-PS-613-T	6.125	6.147	(101)	(113)	(38)	(115)	(205)	(203)	(2.27)									

Fig. 121 RHR 304 Stainless Steel Rigid "Anchor or Guide" Hanger

One piece unit with rod welded to the hanger housing. Standard rod length is 6".

Features: The rigid hanger is ideal for supporting vertical runs and reducing vibrations. This type rod connection does not offer the dynamic slope adjustment. 6" rod is the standard length with other lengths available. Fig 121 RHR can also be used in combination with the figure 125 or 126 stanchions. This combination will allow the support to be adjusted telescopically to the tube or pipe elevation. Call customer service for the price and availability of special rod lengths.

Size Range: 0.24" diameters through 6.125" diameter covering imperial tube and pipe size and metric ISO and DIN sizes

Hardware: 304 stainless steel (Standard), 316 stainless steel and carbon steel as an option

Finish: Stainless steel at a 25 RA

Plastic: Polysulfone (Black; Anchor and Gray; Guide)

Shearing: Anchors - Refer to shear force diagram in technical section
Guides - Allow for thermal expansion of tube or pipe

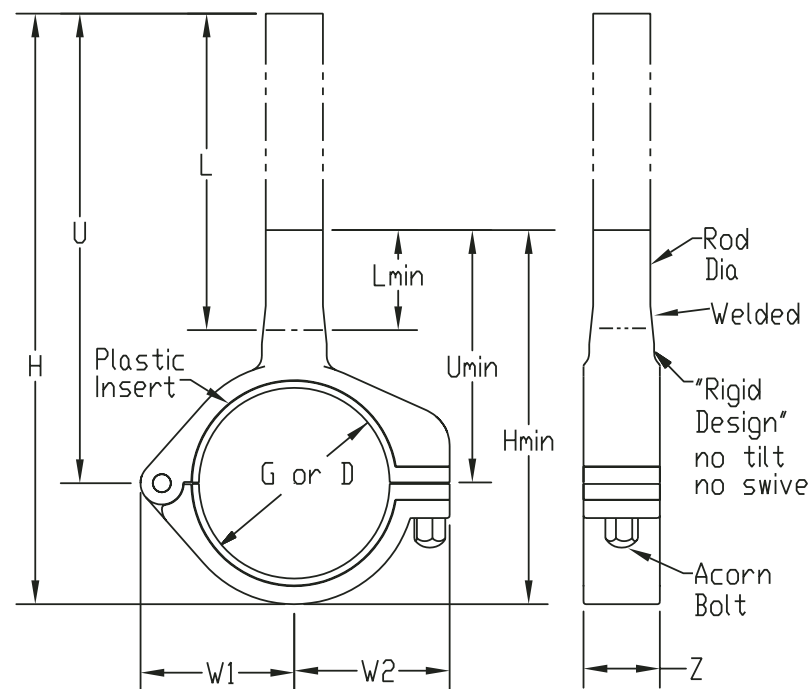
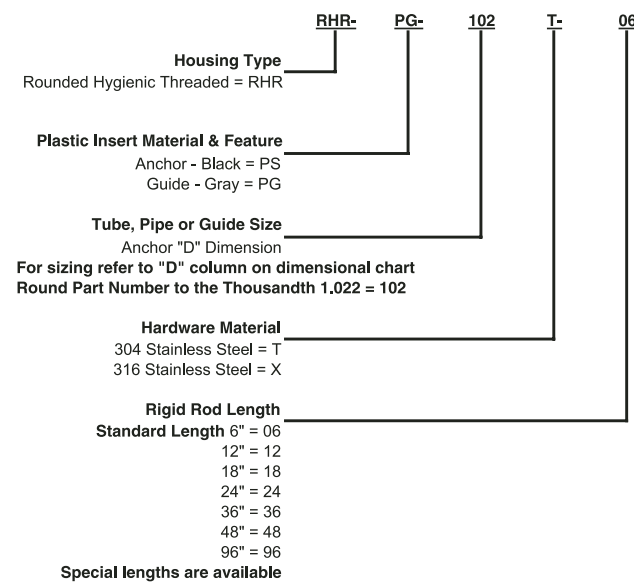


Housing with Black inserts are "Anchor" supports



Housing with Gray inserts are "Guide" supports

Fig 121RHR "Rounded Hygienic Rigid" Hanger - Part Number Configurator



Group No.	Stainless Tube	Pipe	Copper Tube	ISO 1127 / DIN 11850	121 RHR		UNIVERSAL DIMENSIONS AMONGST HOUSINGS						121 RHR		
					Part Number (-PG- as displayed is a Guide & -PS- would make an Anchor)	"D" Anchor Plastic	"C" Guide Plastic	Dimension (mm)						"A" Rod Diameter	Weights Lbs (Kilos)
								W1	W2	Z	L (min)	U (min)	H (min)		
1	1/4"			6 mm	RHR-PG-024-T-06	0.236	0.258	1.01	1.02	1.00	1.36	2.33	2.91	1.15	
				8 mm	RHR-PG-032-T-06	0.315	0.337								
				10 mm	RHR-PG-038-T-06	0.375	0.397								
				12 mm	RHR-PG-047-T-06	0.472	0.494								
				13 mm	RHR-PG-051-T-06	0.512	0.534								
2	1/2"			14 mm	RHR-PG-054-T-06	0.540	0.562	1.13	1.15	1.00	1.36	2.45	3.16	1.25	
				15 mm	RHR-PG-059-T-06	0.590	0.612								
				16 mm	RHR-PG-063-T-06	0.625	0.647								
				18 mm	RHR-PG-071-T-06	0.708	0.730								
				19 mm	RHR-PG-075-T-06	0.750	0.772								
3	3/4"			20 mm	RHR-PG-079-T-06	0.787	0.809	1.26	1.28	1.00	1.36	2.57	3.41	1.25	
				21.3 mm	RHR-PG-084-T-06	0.840	0.862								
				22 mm	RHR-PG-087-T-06	0.866	0.888								
				23 mm	RHR-PG-088-T-06	0.875	0.897								
				24 mm	RHR-PG-091-T-06	0.905	0.927								
4	1"			24 mm	RHR-PG-094-T-06	0.944	0.966	(32)	(33)	(25.4)	(35)	(65)	(87)	(0.57)	
				26.9 mm	RHR-PG-105-T-06	1.050	1.072								
				28 mm	RHR-PG-106-T-06	1.059	1.081								
				29 mm	RHR-PG-110-T-06	1.102	1.124								
				29 mm	RHR-PG-113-T-06	1.125	1.147								
5	1 1/2"			29 mm	RHR-PG-114-T-06	1.142	1.164	1.5	1.54	1.00	1.36	2.82	3.90	0.75	
				30 mm	RHR-PG-118-T-06	1.181	1.203								
				33.7 mm	RHR-PG-131-T-06	1.315	1.337								
				34 mm	RHR-PG-133-T-06	1.326	1.348								
				34 mm	RHR-PG-134-T-06	1.338	1.360								
6	2"			35 mm	RHR-PG-138-T-06	1.378	1.400	(38)	(39)	(25.4)	(35)	(72)	(99)	(19)	
				36 mm	RHR-PG-142-T-06	1.417	1.439								
				37 mm	RHR-PG-144-T-06	1.440	1.462								
				38 mm	RHR-PG-147-T-06	1.479	1.501								
				39 mm	RHR-PG-150-T-06	1.500	1.522								
7	2 1/2"			40 mm	RHR-PG-158-T-06	1.575	1.597	1.76	1.79	1.00	1.36	3.07	4.41	1.35	
				41 mm	RHR-PG-161-T-06	1.614	1.636								
				42 mm	RHR-PG-163-T-06	1.625	1.647								
				42.4 mm	RHR-PG-165-T-06	1.654	1.676								
				48.3 mm	RHR-PG-190-T-06	1.900	1.922								
8	3"			48.3 mm	RHR-PG-200-T-06	2.000	2.022	(45)	(46)	(25.4)	(35)	(78)	(112)	(0.61)	
				52 mm	RHR-PG-205-T-06	2.047	2.069								
				53 mm	RHR-PG-209-T-06	2.087	2.109								
				54 mm	RHR-PG-213-T-06	2.125	2.147								
				60.3 mm	RHR-PG-237-T-06	2.375	2.397								
9	6"			63.5 mm	RHR-PG-250-T-06	2.500	2.522	(52)	(52)	(25.4)	(35)	(84)	(124)	1.45	
				70.0 mm	RHR-PG-276-T-06	2.756	2.778								
				76.1 mm	RHR-PG-287-T-06	2.875	2.897								
				76.1 mm	RHR-PG-300-T-06	3.000	3.022								
				85 mm	RHR-PG-313-T-06	3.125	3.147								
8A	4"			85 mm	RHR-PG-335-T-06	3.346	3.368	2.27	2.28	1.00	1.36	3.57	5.40	1.55	
				88.9 mm	RHR-PG-350-T-06	3.500	3.522								
				104 mm	RHR-PG-409-T-06	4.094	4.116								
				104 mm	RHR-PG-413-T-06	4.125	4.147								
				114.3 mm	RHR-PG-450-T-06	4.500	4.522								
9	6"			129 mm	RHR-PG-508-T-06	5.078	5.100	3.01	3.09	1.00	1.36	4.31	6.90	1.84	
				154 mm	RHR-PG-600-T-06	6.000	6.022								
				154 mm	RHR-PG-606-T-06	6.063	6.085								
				154 mm	RHR-PG-613-T-06	6.125	6.147								
				154 mm	RHR-PG-613-T-06	6.125	6.147								

FIG. 100 BLOCK STYLE

WELD PLATE MOUNT

Size Range: 1/4" outside diameter through 8" outside diameter

Hardware Material: 304 Stainless, 316 Stainless, or electro-zinc plated carbon

Plastic Inserts: Polypropylene (color: blue) up to 212° F.
Santoprene (color beige) up to 302° F.

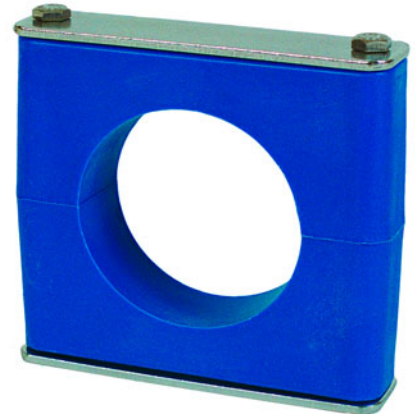
Installations: Weld bottom plate to structure or supporting member, let cool before mounting plastic blocks.

Thermal Expansion Guide

Material: Santoprene, 1/16" insert, Black for service identification

Service: Provides for axial expansion of the tube or pipe due to thermal expansion.
One set of two per clamp

Installation: Assemble between clamp halves during pipe clamp assembly.



GRP NO.	TUBE OR PIPE SIZE	"D" INCHES	W	H	Z	U	BOLT SIZE	LB.
3	1/4 T	0.250	1.88" (48 mm)	1.38" (35 mm)	1.19" (30 mm)	0.81" (20 mm)	1/4-20	0.4 (0.18 kg)
	3/8 T	0.375						
	1/2 T	0.500						
	3/4 T	0.750						
	1/2 P	0.840						
	1 T	1.000						
6	1/4 T	0.250	3.34" (85 mm)	2.63" (67 mm)	1.19" (30 mm)	1.44" (37 mm)	1/4-20	0.6 (0.27 kg)
	3/8 T	0.375						
	1/2 T	0.500						
	5/8 T	0.625						
	3/4 T	0.750						
	1/2 P	0.840						
	7/8 T	0.875						
	1 T	1.000						
	3/4 P	1.050						
	1-1/4 T	1.250						
	1 P	1.315						
	1-1/2 T	1.500						
	1-1/4 P	1.660						
	1-1/2 P	1.900						
7	2 T	2.000	5.00" (127 mm)	4.38" (111 mm)	1.19" (30 mm)	2.31" (59 mm)	1/4-20	1.1 (0.50 kg)
	2 P	2.375						
	2-1/2 T	2.500						
	2-1/2 P	2.875						
	3 T	3.000						
	3-1/2 T -3 P	3.500						
7A	4 T	4.000	5.77" (147 mm)	4.8" (122 mm)	1.19" (33 mm)	2.54" (65 mm)	1/4-20	1.5 (0.68 kg)
8	6 T	6.000	8.88" (226 mm)	7.65" (194 mm)	1.50" (38 mm)	4.01" (102 mm)	3/8-16	4.4 (1.99 kg)
	6P	6.625						
9	8T	8.000	12.5" (318 mm)	10" (254 mm)	1.75" (44 mm)	5.38" (137 mm)	5/8 - 11	12.5 (5.7 kg)

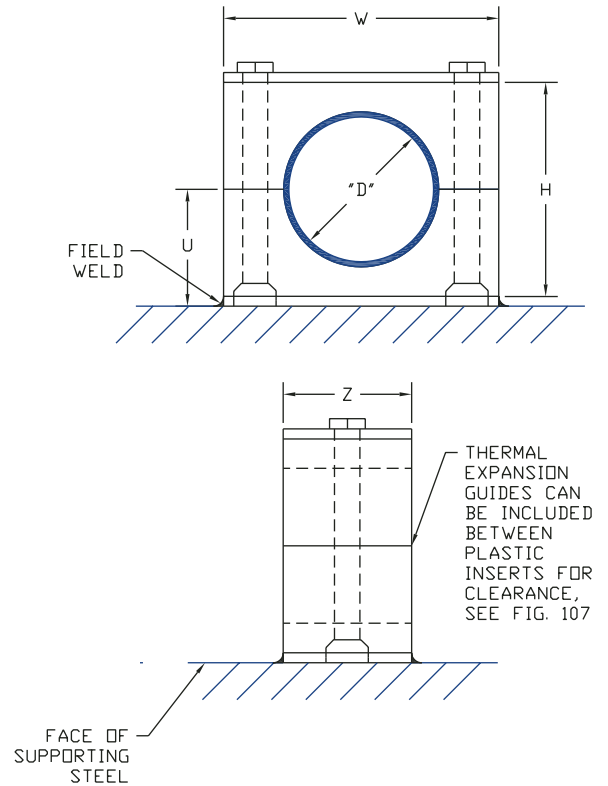
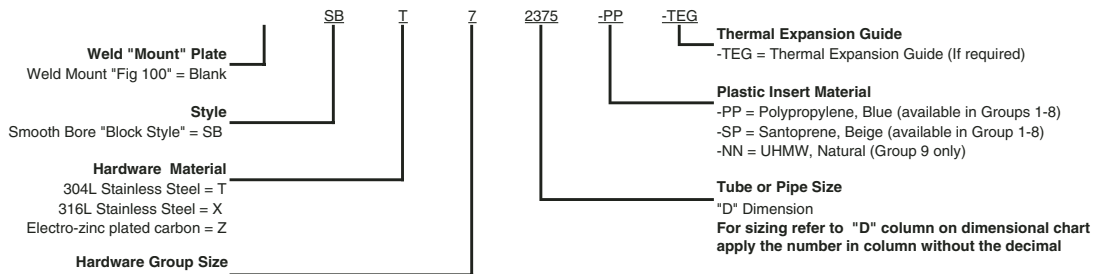


Fig 100 Smooth Bore "Weld Mount" - Part Number Configurator



Group 3 "Hardware Size" Tube OD and Pipe sizes ranging from 0.25" to 1" = 3
 Group 6 "Hardware Size" Tube OD and Pipe sizes ranging from 0.25" to 2" = 6
 Group 7 "Hardware Size" Tube OD and Pipe sizes ranging from 2" to 3.50" = 7
 Group 7A "Hardware Size" Tube OD and Pipe sizes ranging from 4" to 4.5" = 7A
 Group 8 "Hardware Size" Tube OD and Pipe sizes ranging from 6" to 6.625" = 8
 Group 9 "Hardware Size" Tube OD sizes for 8" = 9

Examples of column "D" translation:
 1/4" Tube = 025
 3/4" Pipe = 1050
 1" Pipe = 1315
 2" Pipe = 2375
 4" Tube = 400

FIG. 101

HANG PLATE MOUNT

Size Range: 1/4" outside diameter through 6.625" diameter

Hardware Material: 304 Stainless, 316 Stainless, or electro-zinc plated carbon

Plastic Inserts: Polypropylene (color: blue) up to 212° F.
Santoprene (color beige) up to 302° F.

Installations: Hang from threaded rod to desired elevation

Thermal Expansion Guide

Material: Santoprene, 1/16" insert, Black for service identification

Service: Provides for axial expansion of the tube or pipe due to thermal expansion.
One set of two per clamp

Installation: Assemble between clamp halves during pipe clamp assembly.



GRP NO.	TUBE OR PIPE SIZE	"D" INCHES	W	H	Z	U	BOLT SIZE	HANG NUT	LB. WT.
3	1/4 T	0.250	1.88 (48 mm)	1.38 (35 mm)	1.19 (30 mm)	0.81" (20 mm)	1/4-20	3/8-16	0.3 (0.14 kg)
	3/8 T	0.375							
	1/2 T	0.500							
	3/4 T	0.750							
	1/2 P	0.840							
1 T	1.000								
6	1/4 T	0.250	3.34" (85 mm)	2.63" (67 mm)	1.19" (30 mm)	1.44" (37 mm)	1/4-20	3/8-16	0.5 (0.23 kg)
	3/8 T	0.375							
	1/2 T	0.500							
	5/8 T	0.625							
	3/4 T	0.750							
	1/2 P	0.840							
	7/8 T	0.875							
	1 T	1.000							
	3/4 P	1.050							
	1-1/4 T	1.250							
	1 P	1.315							
	1-1/2 T	1.500							
	1-1/4 P	1.660							
1-1/2 P	1.900								
2 T	2.000								
7	2 T	2.000	5.00" (127 mm)	4.38" (111 mm)	1.19" (30 mm)	2.31" (59 mm)	1/4-20	3/8-16	1 (0.45 kg)
	2 P	2.375							
	2-1/2 T	2.500							
	2-1/2 P	2.875							
	3 T	3.000							
3-1/2 T -3 P	3.500								
7A	4 T	4.000	5.77" (147 mm)	4.8" (122 mm)	1.19" (30 mm)	2.54" (65 mm)	1/4-20	3/8-16	1.3 (0.59 kg)
8	6 T	6.000	8.88" (226 mm)	7.65" (194 mm)	1.50" (38 mm)	4.01" (102 mm)	3/8 - 16	5/8-11	4 (1.8 kg)
	6P	6.625							

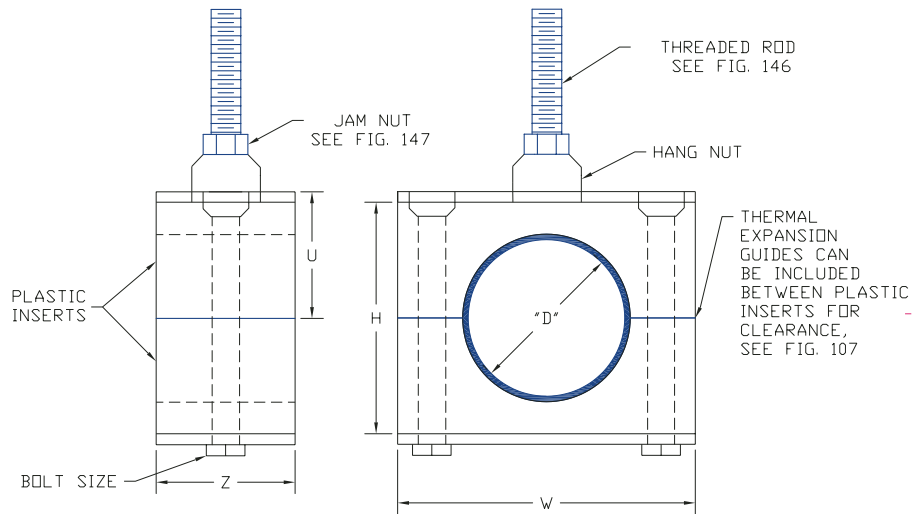
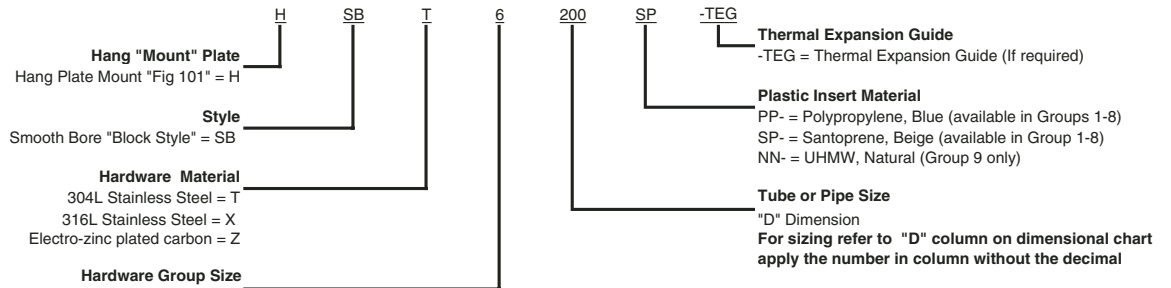


Fig 101 Smooth Bore "Hang Mount" - Part Number Configurator



- Group 3 "Hardware Size" Tube OD and Pipe sizes ranging from 0.25" to 1" = 3
- Group 6 "Hardware Size" Tube OD and Pipe sizes ranging from 0.25" to 2" = 6
- Group 7 "Hardware Size" Tube OD and Pipe sizes ranging from 2" to 3.50" = 7
- Group 7A "Hardware Size" Tube OD and Pipe sizes ranging from 4" to 4.5" = 7A
- Group 8 "Hardware Size" Tube OD and Pipe sizes ranging from 6" to 6.625" = 8
- Group 9 "Hardware Size" Tube OD sizes for 8" = 9

Examples of column "D" translation:

- 1/4" Tube = 025
- 3/4" Pipe = 1050
- 1" Pipe = 1315
- 2" Pipe = 2375
- 4" Tube = 400

FIG. 102

SLOTTED BASE PLATE MOUNT

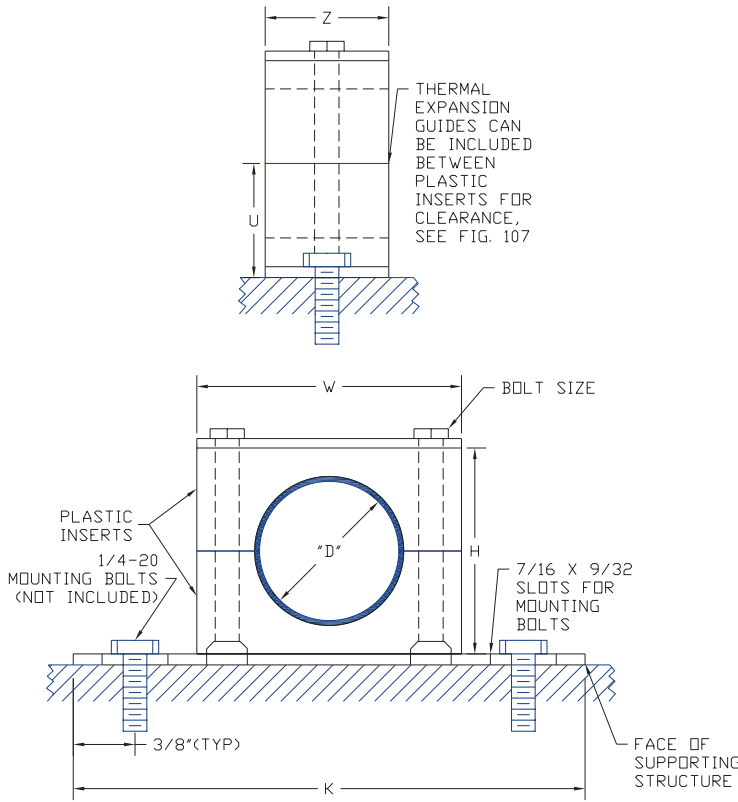
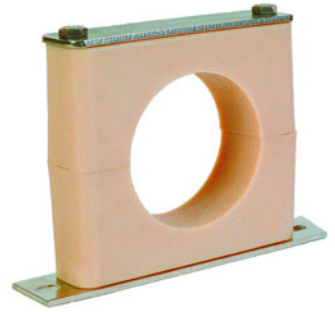
Size Range: 1/4" outside diameter through 6.625" outside diameter

Hardware Material: 304 Stainless, 316 Stainless, or electro-zinc plated carbon

Plastic Insert: Polypropylene (color: blue) up to 212° F
Santoprene (color: tan) up to 302° F

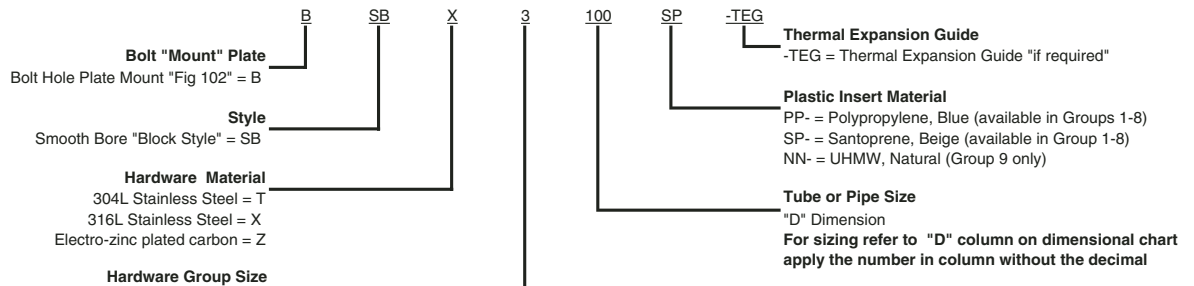
Installation: Locate bolt holes in mounting structure and either tap into structure or use 1/4-20 bolt and nut to secure

Thermal Expansion Guide: Material: Santoprene, 1/16" insert, Black for service identification
Service: Provides for axial expansion of the tube or pipe due to thermal expansion.
One set of two per clamp
Installation: Assemble between clamp halves during pipe clamp assembly.



GRP NO.	TUBE OR PIPE SIZE	"D" INCHES	W	H	Z	U	K	BOLT SIZE	LBS.
3	1/4 T	0.250	1.88" (48 mm)	1.38" (35 mm)	1.19" (30 mm)	0.81" (20 mm)	3.50" (89 mm)	1/4-20	0.4 (0.18 kg)
	3/8 T	0.375							
	1/2 T	0.500							
	3/4 T	0.750							
	1/2 P	0.840							
6	1 T	1.000	3.34" (85 mm)	2.63" (67 mm)	1.19" (30 mm)	1.44" (37 mm)	4.50" (114 mm)	1/4-20	0.6 (0.27 kg)
	3/8 T	0.375							
	1/2 T	0.500							
	5/8 T	0.625							
	3/4 T	0.750							
	1/2 P	0.840							
	7/8 T	0.875							
	1 T	1.000							
	3/4 P	1.050							
	1-1/4 T	1.250							
	1 P	1.315							
	1-1/2 T	1.500							
7	1-1/4 P	1.660	5.00" (127 mm)	4.38" (111 mm)	1.19" (30 mm)	2.31" (59 mm)	6.50" (165 mm)	1/4-20	1.1 (0.50 kg)
	1-1/2 P	1.900							
	2 T	2.000							
	2 T	2.000							
	2 P	2.375							
	2-1/2 T	2.500							
7A	2-1/2 P	2.875	5.77" (147 mm)	4.8" (122 mm)	1.19" (30 mm)	2.54" (65 mm)	7.20" (183 mm)	1/4-20	1.5 (0.68 kg)
	3 T	3.000							
8	3-1/2 T - 3 P	3.500	8.88" (226 mm)	7.65" (194 mm)	1.50" (38 mm)	4.01" (102 mm)	11.25" (286 mm)	3/8-16	4.4 (1.97 kg)
	4 T	4.000							
8	6 T	6.000	8.88" (226 mm)	7.65" (194 mm)	1.50" (38 mm)	4.01" (102 mm)	11.25" (286 mm)	3/8-16	4.4 (1.97 kg)
	6P	6.625							

Fig 102 Smooth Bore "Bolt Mount" - Part Number Configurator



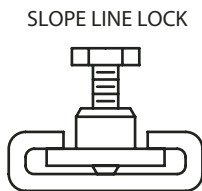
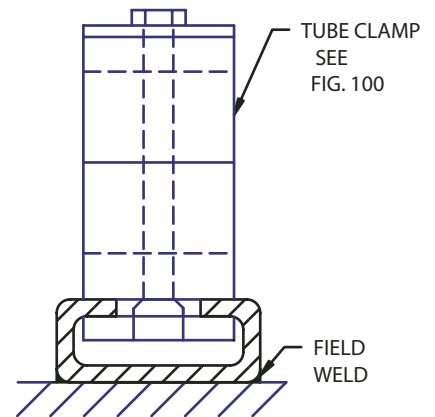
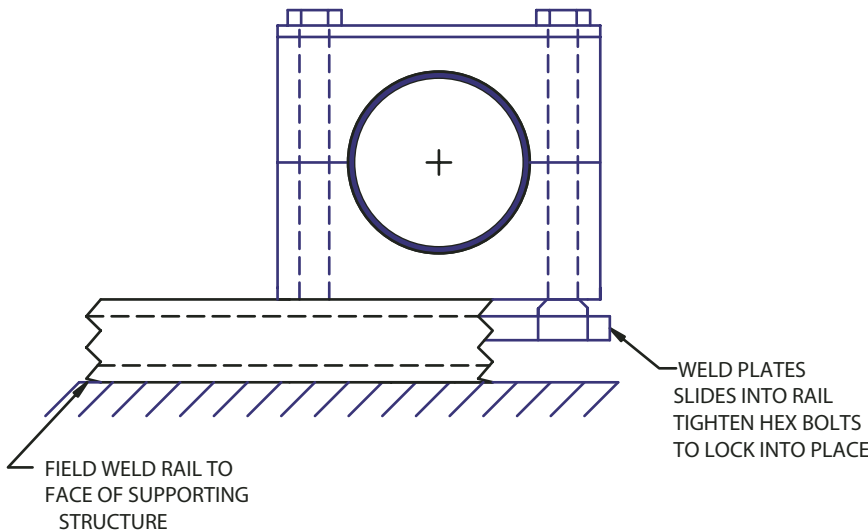
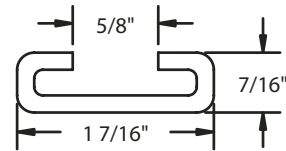
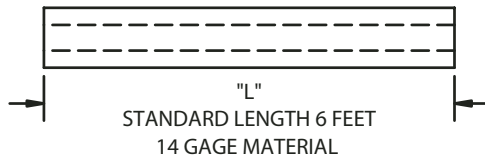
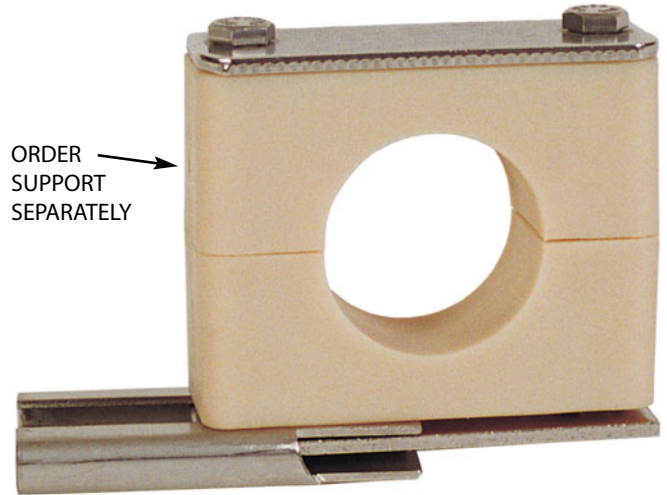
- Group 3 "Hardware Size" Tube OD and Pipe sizes ranging from 0.25" to 1" = 3
- Group 6 "Hardware Size" Tube OD and Pipe sizes ranging from 0.25" to 2" = 6
- Group 7 "Hardware Size" Tube OD and Pipe sizes ranging from 2" to 3.50" = 7
- Group 7A "Hardware Size" Tube OD and Pipe sizes ranging from 4" to 4.5" = 7A
- Group 8 "Hardware Size" Tube OD and Pipe sizes ranging from 6" to 6.625" = 8
- Group 9 "Hardware Size" for 8" Tube = 9

- Examples of column "D" translation:**
- 1/4" Tube = 025
 - 3/4" Pipe = 1050
 - 1" Pipe = 1315
 - 2" Pipe = 2375
 - 4" Tube = 400

FIG. 103

RAL-1 RAIL MOUNTING

- Size Range:** Rail Accomodates Clamps from 1/4" through 4" tube
- Material:** Carbon Steel; 304 Stainless; 316 Stainless
- Finish:** Plain carbon; electro-zinc plated carbon; 304 or 316 mill finish; 304 or 316 electro-polished
- Installation:** Weld Rail (RAL-1) to structure or supporting member. Slide clamp weld plate into rail, locate proper position and assemble clamp. Tightening hex bolts of clamp will lock clamp into position.
- Ordering:** Figure number, name, material, finish and length "L" if other than standard 6'.



THIS LOCK MECHANISM IS TO MAINTAIN WELD PLATE LOCATION IF CLAMP IS DISASSEMBLED CONSULT FACTORY OR YOUR LOCAL DISTRUBUTOR FOR DETAILS

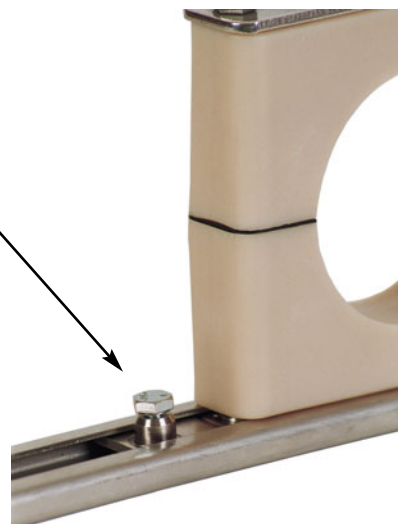


FIG. 104

STACKING KIT

Size Range: Any double combination of sizes 1/4" outside diameter through 3.5" outside diameter

Hardware Material: 304 Stainless, 316 Stainless, or electro-zinc plated carbon

Finish: Electro-zinc plated, or 304 or 316 mill finish

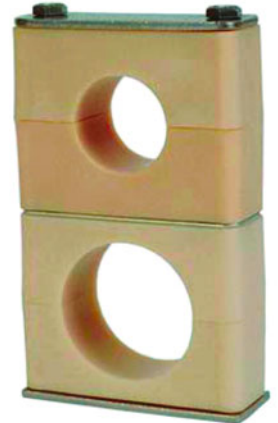
Plastic Inserts: Polypropylene (color: blue) up to 212° F.
Santoprene (color beige) up to 302° F.

Installations: Weld bottom plate to structure or supporting member. Let cool before mounting plastic inserts.

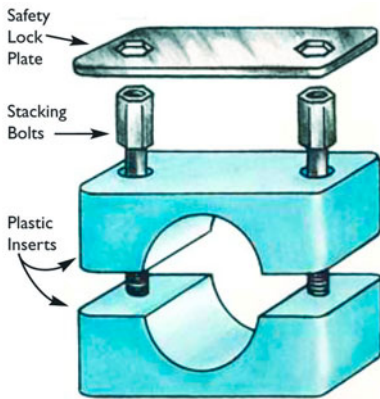
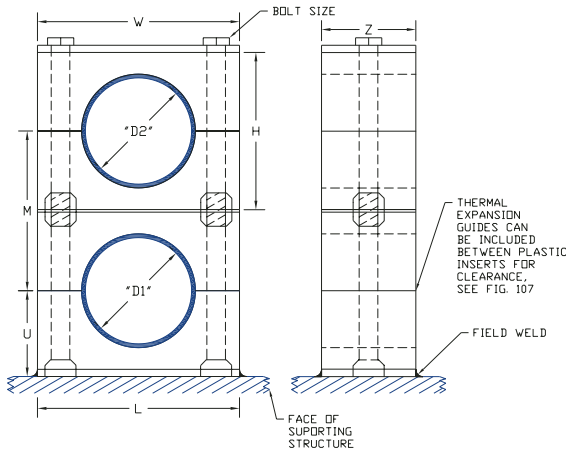
Thermal Expansion Guide

Material: Santoprene, 1/16" insert, Black for service identification

Service: Provides for axial expansion of the tube or pipe due to thermal expansion.
One set of two per clamp

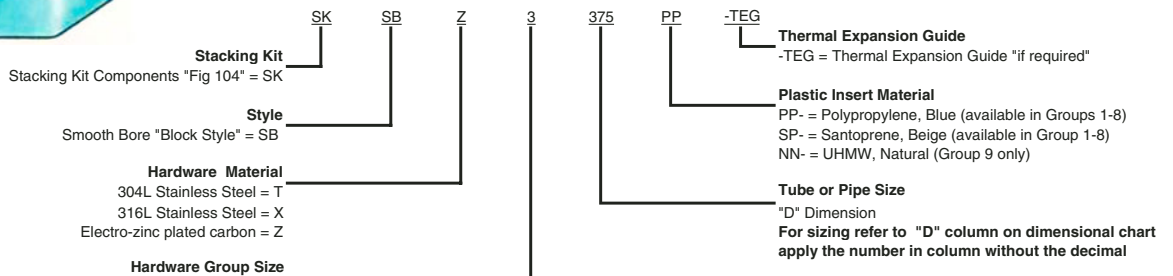


Installation: Assemble between clamp halves during pipe clamp assembly.



GRP NO.	TUBE OR PIPE SIZE	"D" INCHES	W	H	Z	U	L	M	BOLT SIZE	LBS
3	1/4 T	0.250	1.88 (48 mm)	1.38" (35 mm)	1.19" (30 mm)	0.81" (20 mm)	1.91 (49 mm)	1.44" (37 mm)	1/4-20	0.15 (0.07 kg)
	3/8 T	0.375								
	1/2 T	0.500								
	3/4 T	0.750								
	1/2 P	0.840								
6	1 T	1.000	3.34" (85 mm)	2.63" (67 mm)	1.19" (30 mm)	1.44" (37 mm)	3.37 (86 mm)	2.69 (68 mm)	1/4-20	0.30 (0.29 kg)
	1/4 T	0.250								
	3/8 T	0.375								
	1/2 T	0.500								
	5/8 T	0.625								
	3/4 T	0.750								
	1/2 P	0.840								
	7/8 T	0.875								
	1 T	1.000								
	3/4 P	1.050								
	1-1/4 T	1.250								
	1 P	1.315								
	1-1/2 T	1.500								
	1-1/4 P	1.660								
7	1-1/2 P	1.900	5.00" (127 mm)	4.38" (111 mm)	1.19" (30 mm)	2.31" (59 mm)	4.41" (112 mm)	4.44" (113 mm)	1/4-20	0.65 (0.14k g)
	2 T	2.000								
	2 P	2.375								
	2-1/2 T	2.500								
	2-1/2 P	2.875								
	3 T	3.000								
3-1/2 T -3 P	3.500									

Fig 104 Smooth Bore "Stacking Kit" - Part Number Configurator



- Group 3 "Hardware Size" Tube OD and Pipe sizes ranging from 0.25" to 1" = 3
- Group 6 "Hardware Size" Tube OD and Pipe sizes ranging from 0.25" to 2" = 6
- Group 7 "Hardware Size" Tube OD and Pipe sizes ranging from 2" to 3.50" = 7
- Group 7A "Hardware Size" Tube OD and Pipe sizes ranging from 4" to 4.5" = 7A
- Group 8 "Hardware Size" Tube OD and Pipe sizes ranging from 6" to 6.625" = 8
- Group 9 "Hardware Size" Tube OD sizes for 8" = 9

Examples of column "D" translation:

- 1/4" Tube = 025
- 3/4" Pipe = 1050
- 1" Pipe = 1315
- 2" Pipe = 2375
- 4" Tube = 400

FIG. 109

ANCHOR CLAMP

Size Range: 1/4" through 8" pipe or tube diameter.

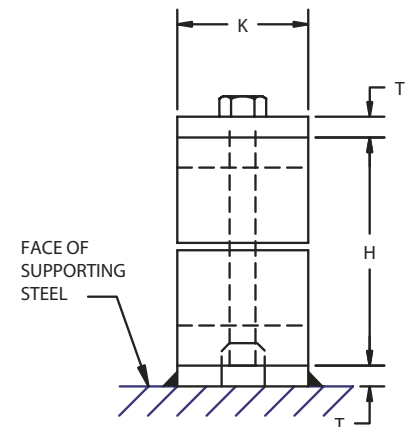
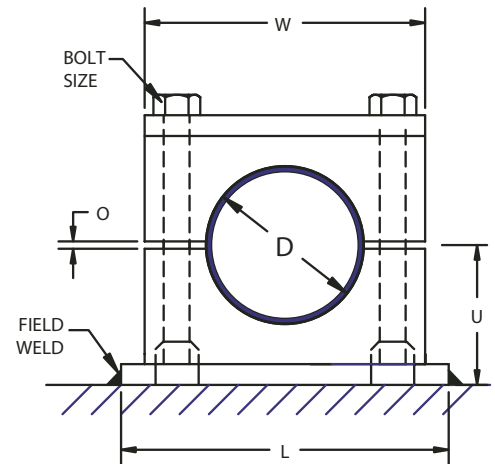
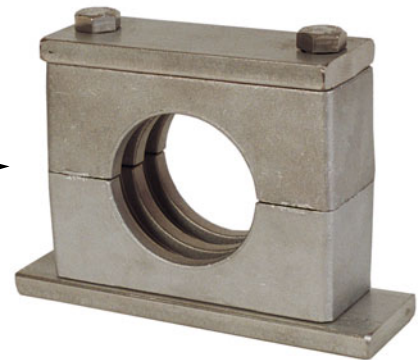
Material: Carbon steel; 304 or 316 stainless steel.

Finish: Plain carbon; electro-zinc plated carbon; 304 or 316 stainless mill finish; 304 or 316 electro polished.

Block Inserts: Polypropylene (color black) up to 212° F. Polypropylene
 Santoprene (color tan) up to 302° F.
 Aluminum (color silver) up to 700° F.

Service: To be used as a pipe or tube anchor where tube pipe is to remain STATIONARY. The "O" dimension between block inserts allow clamp to act as an anchor.

Ordering: Specify figure number, name, tube or pipe size, hardware material, finish and block insert material.



INCHES											
TUBE SIZE	TUBE OD "D"	PIPE SIZE	PIPE O.D. SIZE	W	H	T	K	L	O	U	BOLT SIZE
1/4 T	0.250	1/8 P	.405	2 1/4	1 3/8	5/16	1 1/4	2 7/8	1/16	1	3/8 - 16
3/8 T	0.375	1/4 P	.540								
1/2 T	0.500	3/8 P	.675								
5/8 T	0.625										
3/4 T	0.750	1/2 P	0.84	2 3/4	1 7/8	5/16	1 1/4	3 3/8	1/16	1 1/4	3/8 - 16
7/8 T	0.875	3/4 P	1.050								
1 T	1.000										
1 1/4 T	1.250	1 P	1.315	3 11/32	2 3/8	5/16	1 1/4	4	1/16	1 1/2	3/8 - 16
1 1/2 T	1.500	1 1/4 P	1.66								
1 3/4 T	1.750	1 1/4 P	1.660	4 1/2	3 1/2	3/8	1 3/4	5 7/8	1/8	2 1/8	7/16 - 14
2 T	2.000	1 1/2 P	1.900								
2 1/4 T	2.250	2P	2.375								
2 1/2 T	2.500										
2 3/4 T	2.750										
3 T	3.000	2 1/2 P	2.375	6	4 3/4	3/8	2 1/4	7 3/8	1/8	2 3/4	5/8 - 11
3 1/2 T	3.500	3 P	3.500								
4 T	4.000	4 P	4.500	8 1/16	6 5/8	1/2	3	10	3/16	3 13/16	3/4 - 10
4 1/2 T	4.5										
5 T	5										
5 1/4 T	5.25	5 P	5.563	9 3/4	7 7/8	1/2	3 1/2	11 3/4	3/16	4 7/16	7/8 - 9
6	6	6 P	6.625								
8 T	8.000	8 P	8.625	12 1/2	10 5/8	3/4	4 1/2	14 1/2	3/16	6 1/16	1 1/8 - 7

Consult Factory or your local distributor for special clamp diameters

FIG. 111

STRUT MOUNT CLAMP

Size Range: 1/4" outside diameter through 4.5" outside diameter.

Material: Carbon steel; 304 or 316 stainless.

Finish: Electro-zinc plated carbon; 304 or 316 mill finish.

Plastic Inserts: Polypropylene (color blue) up to 212° F.
Santoprene (color tan) up to 302° F.

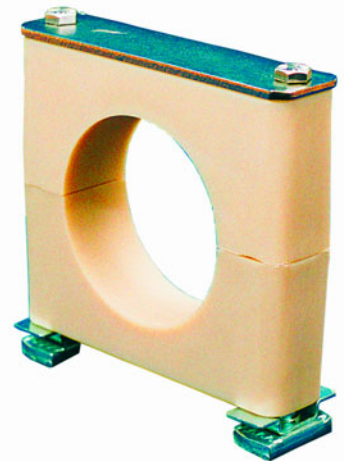
Installations: After strut rail position has been established, position 2 strut rail nuts in channel where desired to accept plastic inserts. Place pipe or tube in clamp perpendicular to strut channel. Torque down on clamp bolts to lock assembly in place.

Thermal Expansion Guide

Material: Santoprene, 1/16" insert, Black for service identification

Service: Provides for axial expansion of the tube or pipe due to thermal expansion.
One set of two per clamp

Installation: Assemble between clamp halves during pipe clamp assembly.



GRP NO.	TUBE OR PIPE SIZE	"D" INCHES	W	H	Z	U	BOLT SIZE	LBS.
3	1/4 T	0.250	1.88" (48 mm)	1.38" (35 mm)	1.19" (30 mm)	0.69" (17 mm)	1/4-20	0.4 (0.18 kg)
	3/8 T	0.375						
	1/2 T	0.500						
	3/4 T	0.750						
	1/2 P	0.840						
	1 T	1.000						
6	1/4 T	0.250	3.34" (85 mm)	2.63" (67 mm)	1.19" (30 mm)	1.32" (34 mm)	1/4-20	0.6 (0.27 kg)
	3/8 T	0.375						
	1/2 T	0.500						
	5/8 T	0.625						
	3/4 T	0.750						
	1/2 P	0.840						
	7/8 T	0.875						
	1 T	1.000						
	3/4 P	1.050						
	1-1/4 T	1.250						
	1 P	1.315						
	1-1/2 T	1.500						
	1-1/4 P	1.660						
	1-1/2 P	1.900						
7	2 T	2.000	5.00" (127 mm)	4.38" (111 mm)	1.19" (30 mm)	2.19" (56 mm)	1/4-20	1.1 (0.50 kg)
	2 T	2.000						
	2 P	2.375						
	2-1/2 T	2.500						
	2-1/2 P	2.875						
	3 T	3.000						
7A	4 T	4.000	5.77" (147 mm)	4.8" (122 mm)	1.19" (33 mm)	2.42" (62 mm)	1/4-20	1.5 (0.68 kg)
	3-1/2 T-3 P	3.500						
4	4P	4.500	8.88" (226 mm)	7.65" (194 mm)	1.50" (38 mm)	3.89" (99 mm)	3/8-16	4.4 (1.99 kg)
	6 T	6.000						
	6P	6.625						
9	8T	8.000	12.5" (318 mm)	10" (254 mm)	1.75" (44 mm)	5.26" (134 mm)	5/8 - 11	12.5 (5.7 kg)
	8P	8.625						

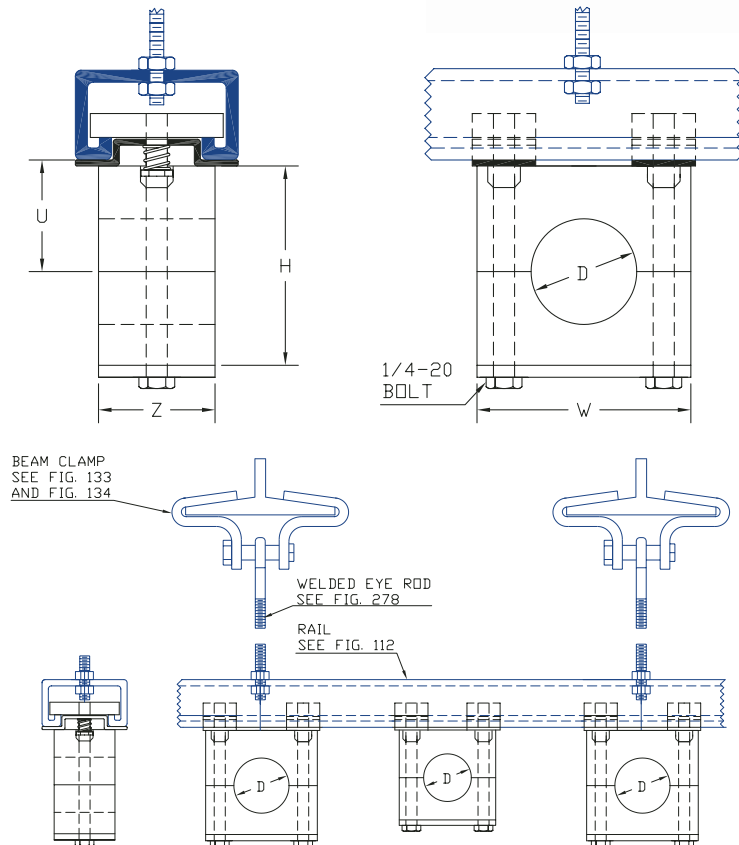
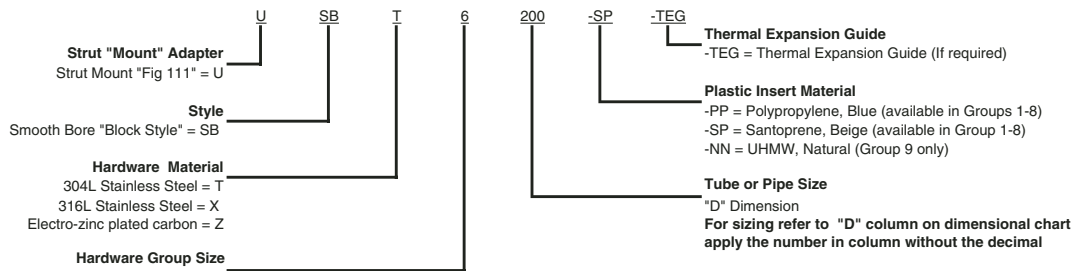


Fig 111 Smooth Bore "Strut Mount" - Part Number Configurator



Group 3 "Hardware Size" Tube OD and Pipe sizes ranging from 0.25" to 1" = 3
 Group 6 "Hardware Size" Tube OD and Pipe sizes ranging from 0.25" to 2" = 6
 Group 7 "Hardware Size" Tube OD and Pipe sizes ranging from 2" to 3.50" = 7
 Group 7A "Hardware Size" 4 Tube OD and Pipe sizes ranging from 4" to 4.5" = 7A

Examples of column "D" translation:
 1/4" Tube = 025
 3/4" Pipe = 1050
 1" Pipe = 1315
 2" Pipe = 2375
 4" Tube = 400

FIG. 121

ROD MOUNT

Size Range: 1/4" outside diameter through 6.625" outside diameter

Hardware Material: Carbon Steel, 304 Stainless, 316 Stainless, or electro-zinc plated carbon

Finish: Mill, blended or polished.

Polypropylene (color: blue) up to 212° F.

Plastic Inserts: Santoprene (color beige) up to 302° F.

Installations: Cut bar in field to proper length. Field weld hang or floor mount bar to support structure. Fig 121 can also be used in combination with the figure 125 or 126 stanchions. This combination will allow the support to be adjusted telescopically to the tube or pipe elevation. Call customer service for the price and availability of special rod lengths.



Thermal Expansion Guide

Material: Santoprene, 1/16" insert, Black for service identification

Service: Provides for axial expansion of the tube or pipe due to thermal expansion. One set of two per clamp

Installation: Assemble between clamp halves during pipe clamp assembly.

GRP NO.	TUBE OR PIPE SIZE	"D" INCHES	W	Z	U	BOLT SIZE	"A" ROD DIA	LB'S
3	1/4 T	0.250	1.88" (48 mm)	1.19" (30 mm)	0.81" (20 mm)	1/4-20	0.5" (12.7 mm)	0.63 (0.14 kg)
	3/8 T	0.375						
	1/2 T	0.500						
	3/4 T	0.750						
	1/2 P	0.840						
1 T	1.000							
6	1/4 T	0.250	3.34" (85 mm)	1.19" (30 mm)	1.44" (37 mm)	1/4-20	0.5" (12.7 mm)	0.83 (0.23 kg)
	3/8 T	0.375						
	1/2 T	0.500						
	5/8 T	0.625						
	3/4 T	0.750						
	1/2 P	0.840						
	7/8 T	0.875						
	1 T	1.000						
	3/4 P	1.050						
	1-1/4 T	1.250						
	1 P	1.315						
	1-1/2 T	1.500						
	1-1/4 P	1.660						
1-1/2 P	1.900							
2 T	2.000							
7	2 T	2.000	5.00" (127 mm)	1.19" (30 mm)	2.31" (59 mm)	1/4-20	0.75" (19 mm)	1.75 (0.45 kg)
	2 P	2.375						
	2-1/2 T	2.500						
	2-1/2 P	2.875						
	3 T	3.000						
	3-1/2 T-3 P	3.500						
7A	4 T	4.000	5.77" (147 mm)	1.19" (33 mm)	2.54" (65 mm)	1/4-20	0.75" (19 mm)	2.05 (0.59 kg)
	6 T	6.000						
8	6 T	6.000	8.88" (226 mm)	1.50" (38 mm)	4.01" (102 mm)	3/8-16	1.00" (25.4 mm)	4 (1.8 kg)
	6 P	6.625						

"L" WILL BE SUPPLIED AT 12" UNLESS OTHERWISE SPECIFIED

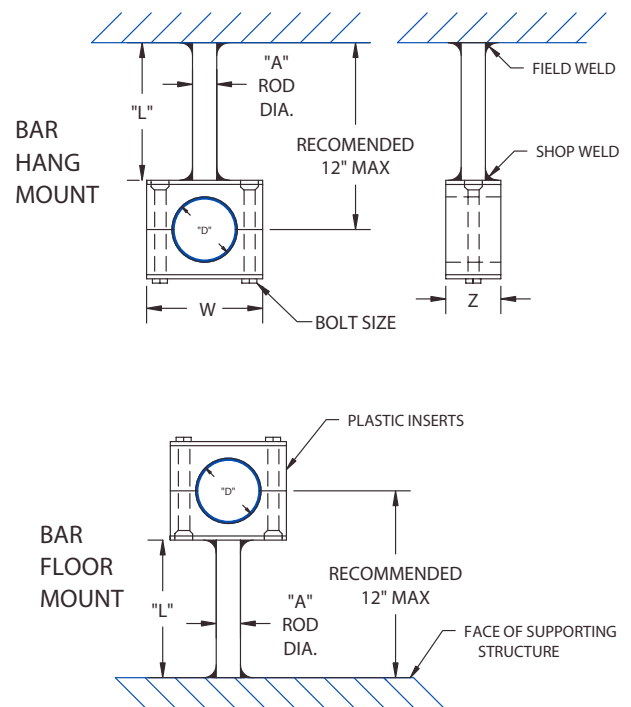


Fig 121 Smooth Bore "Rod Mount" - Part Number Configurator

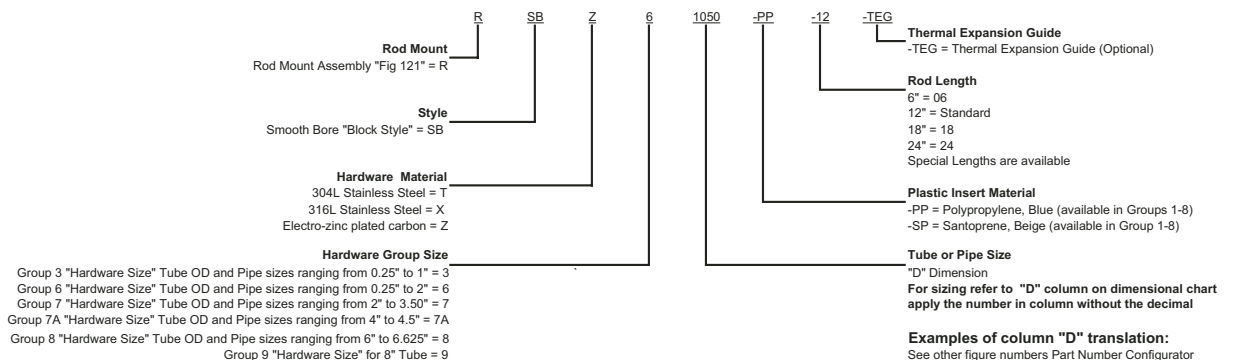


FIG. 125

TELESCOPIC ADJUSTING STANCHION "HANG MOUNT"



**Fig. 125
"Hanger Mount"**

"Hanger Stanchion" with square tube cut to specified length. One end of the square tube has a capped end with a rod hole. The rod hole is used for telescopic adjustment of the hanger rod. Specify the steels finish and the finish on the weld.

Features: Hole in capped end of square tube allows the hanger rod to be manually adjusted for telescopic location of the tube or pipe.

Hardware: 316 stainless steel, 304 stainless steel and carbon steel

Finish: MILL = Fabricated steel and welds are a mill finish

BUFF = Fabricated steel and weld are buffed to remove splatter

BLND = Fabricated steel is polished and welds are blended

Special finishes and painted stanchions are available, call Behringer

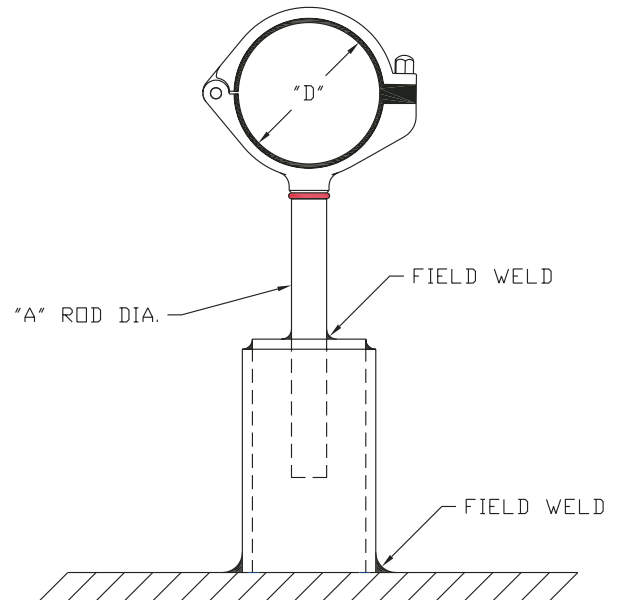
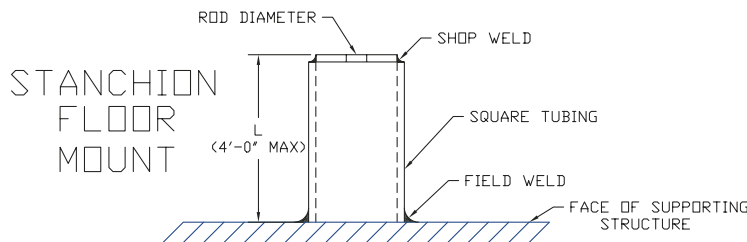
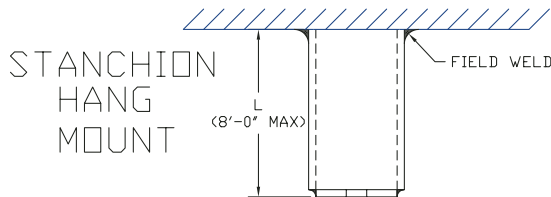


Fig 125 "Telescopic" Hanger Stanchion - Part Number Configurator

	S12	B-	SW1-	XXX	T-	MILL	
Stanchion Length	6" = S06 12" = S12 18" = S18 24" = S24 36" = S36 48" = S48 96" = S96						Finish MILL = Fabricated steel and welds are a mill finish BUFF = Fabricated steel and weld are buffed to remove splatter BLND = Fabricated steel is polished and welds are blended SPL = Special finishes available, call Behringer
Rod Hole Diameter							Hardware T- = 304 L Stainless Steel X- = 316 L Stainless Steel Z- = Electro-Zinc plated carbon P- = Painted "to end users specification"
							Base Plate Width XXX- = no base plate
Stanchion Width							
	1-1/2" x 1-1/2" x 1/8" sq. tube = SW1-						
	2" x 2" x 1/8" sq. tube = SW2-						
	3" x 3" x 3/16" sq. tube = SW3-						
Round stanchions and made to specification stanchions are available, call Behringer							

FIG. 126

TELESCOPIC ADJUSTING STANCHION "FLOOR MOUNT STAND"

**Fig. 126
"Floor Mount Stand"**

One piece "Floor Stand" with square tube cut to specified length. One end of the square tube has a capped end with a rod hole. The rod hole is used for telescopic adjustment of the hanger rod. The open end of the square tube is welded to a base plate which can be supplied with anchor bolt holes. Specify the steels finish and the finish on the weld.

Features: Hole in capped end of square tube allows the hanger rod to be manually adjusted for telescopic location of the tube or pipe.

Hardware: 316 stainless steel, 304 stainless steel and carbon steel

Finish: MILL = Fabricated steel and welds are a mill finish
 BUFF = Fabricated steel and weld are buffed to remove splatter
 BLND = Fabricated steel is polished and welds are blended
 Special finishes and painted stanchions are available, call Behringer

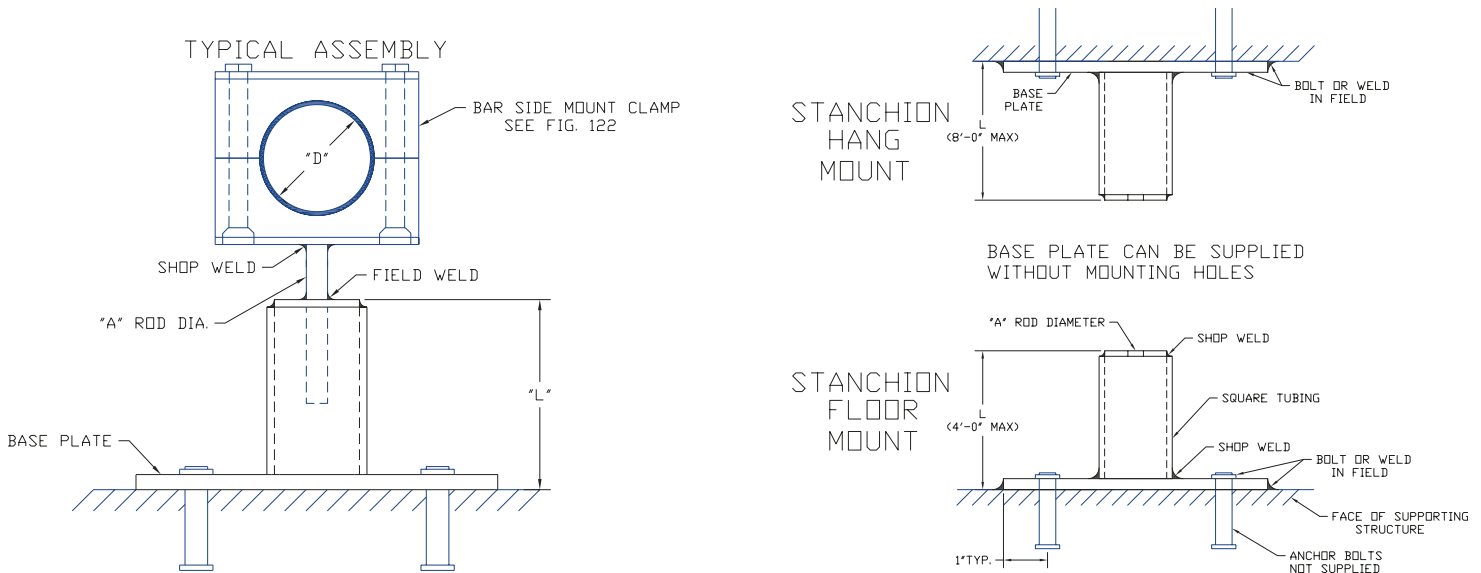


Fig. 126 "Telescopic" Floor Stand Stanchion - Part Number Configurator

<p>Stanchion Length</p> <p>6" = S06 12" = S12 18" = S18 24" = S24 36" = S36 48" = S48 96" = S96</p> <p>Rod Hole Diameter</p> <p>Capped end with 3/8" rod hole = A- Capped end with 1/2" rod hole = B- Capped end with 5/8" rod hole = C- Capped end with 3/4" rod hole = D- Capped end with 1" rod hole = E- Capped end with no rod hole = F-</p> <p>Stanchion Width</p> <p>1-1/2" x 1-1/2" x 1/8" sq. tube = SW1- 2" x 2" x 1/8" sq. tube = SW2- 3" x 3" x 3/16" sq. tube = SW3-</p> <p>Round stanchions and made to specification stanchions are available, call Behringer</p>	<p>Finish</p> <p>MILL = Fabricated steel and welds are a mill finish BUFF = Fabricated steel and weld are buffed to remove splatter BLND = Fabricated steel is polished and welds are blended SPL = Special finishes available, call Behringer</p> <p>Hardware</p> <p>T- = 304 L Stainless Steel X- = 316 L Stainless Steel Z- = Electro-Zinc plated carbon P- = Painted "to end users specification"</p> <p>Base Plate Width</p> <p>BP1- = 6" x 6" x 3/8" base plate with anchor bolt holes BP2- = 6" x 6" x 3/8" base plate without anchor bolt holes BP3- = 8" x 8" x 1/2" base plate with anchor bolt holes BP4- = 8" x 8" x 1/2" base plate without anchor bolt holes</p>
--	--

FIG. 145

THREADED SUPPORT ROD

Size Range: 3/8" outside diameter to 1" outside diameter with different rod lengths and connection threads available.

Hardware Material: Plain carbon; electro-zinc plated carbon; 304 or 316 Stainless Steel

Finish: 25 Ra or mill finish; other available upon request

Ordering: To identify the proper thread refer to the "T" column on Fig. 121RHT or the Hang Nut column on Fig. 101. Then use the Fig 145 part number configurator located at the bottom of this page.

Installations: Thread the rod into housing. Cut the rod in the field to proper length. Field weld hang or floor mount the rod to support structure. The rod can also be used in combination with the figure 125 or 126 stanchions. This combination will allow the support to be adjusted telescopically to the tube or pipe elevation.

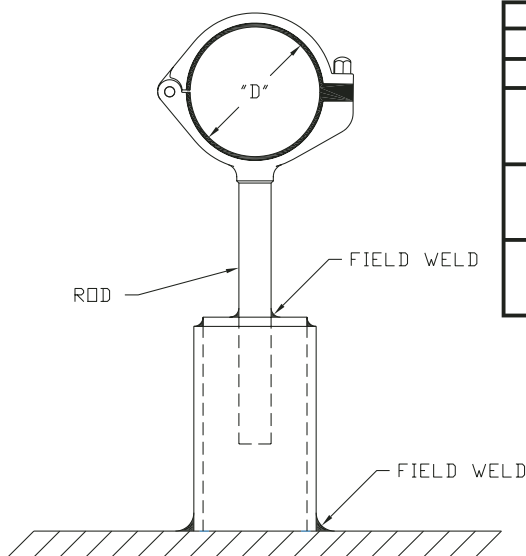
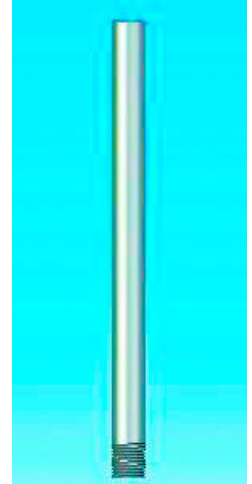


Fig. 125 Telescopic Rod Adjustment to the tubes elevation

RH Series		SB or Block Style	
Fig. 121RHT		Fig. 101	
OD	Thread	OD	Thread
0.236" to 3.00	3/8-16	0.25 to 4.5	3/8"-16
3.125 to 4.00	1/2"-13	6.00" to 6.625"	5/8"-11
4.094" to 6.125"	3/4" - 10	N/A	N/A

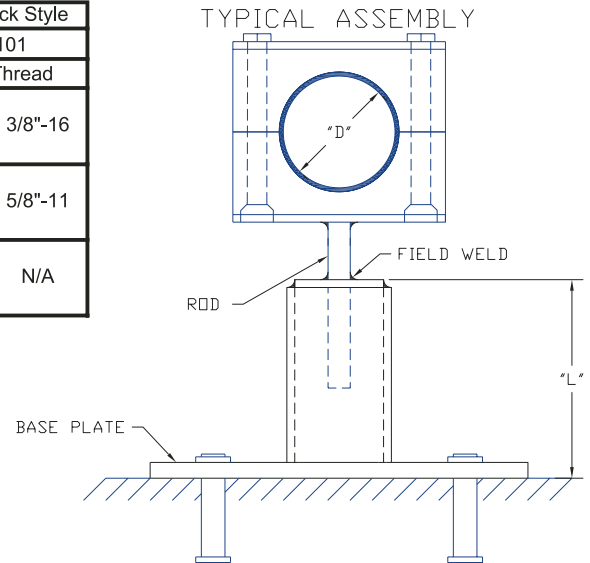


Fig. 126 Telescopic Rod Adjustment to the tubes elevation

Fig 145 Threaded Hanger Rod - Part Number Configurator

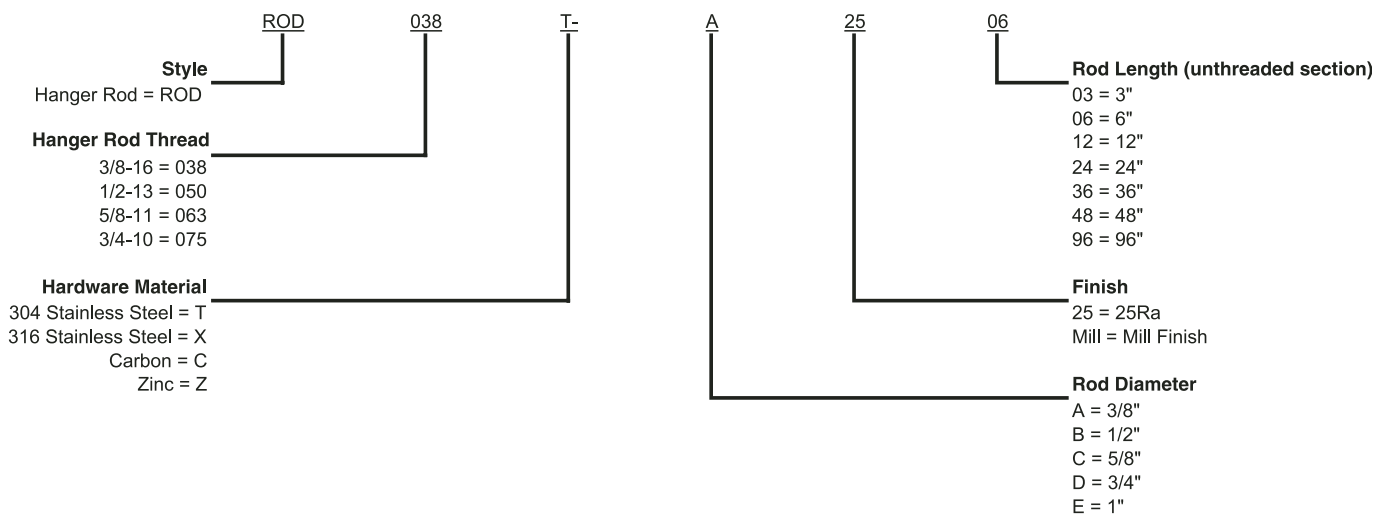


FIG. 151

SANITARY CLAMPS

Size Range: 1/2" through 6" tube.

Material: 304 Stainless.

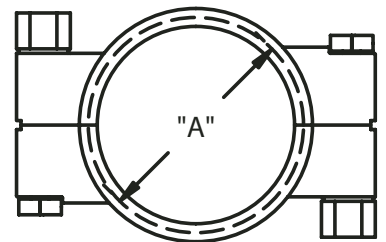
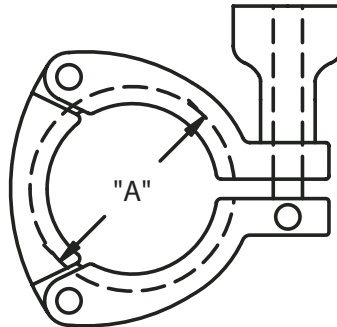
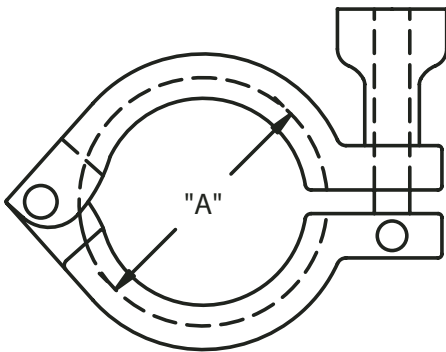
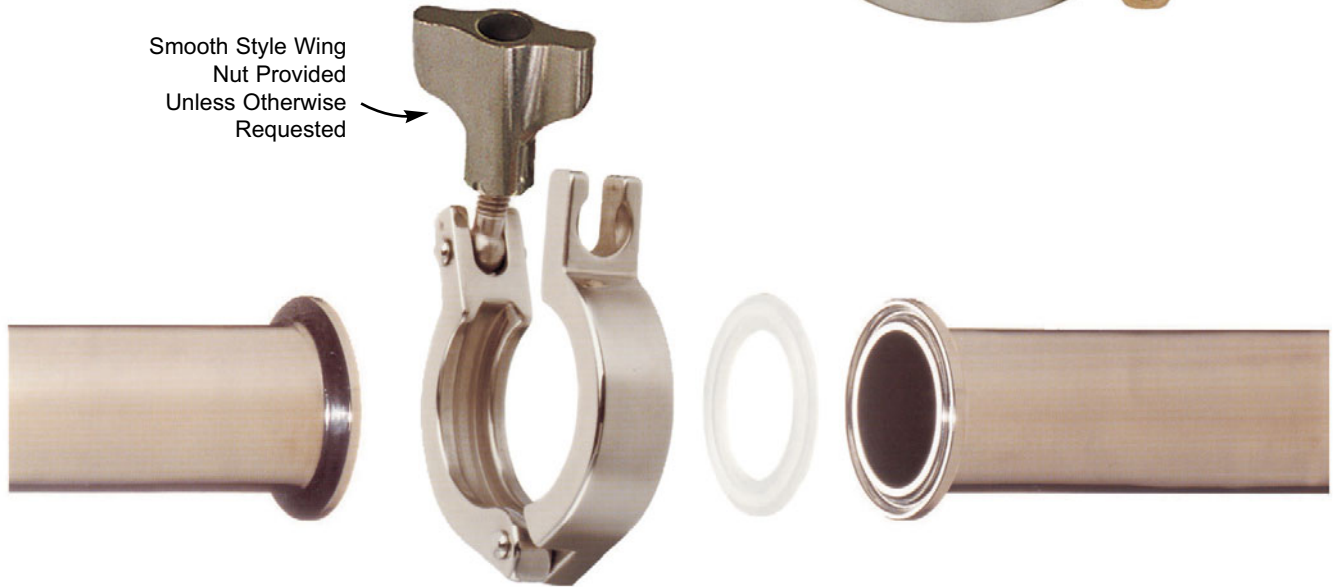
Finish: 26 RA.

Service: Used in connection of sanitary tube & fittings.

Ordering: Specify figure number, name, clamp type number and tube size.



Smooth Style Wing Nut Provided Unless Otherwise Requested



STANDARD CLAMP SANITARY CLAMP TYPE 1	
Size Range: 1/2" to 6" TUBE O.D.	
SIZE (TUBE O.D.)	Ø A
1/2 - 3/4"	1.1"
1-1 1/2"	2.1"
2"	2.6"
2 1/2"	3.1"
3"	3.7"
4"	4.8"
6"	6.7"

3 SEGMENT CLAMP SANITARY CLAMP TYPE 2	
Size Range: 1 1/2" to 4" TUBE O.D.	
SIZE (TUBE O.D.)	ØA
1-1 1/2"	2.1"
2"	2.6"
2 1/2"	3.1"
3"	3.7"
4"	4.8"

HIGH PRESSURE CLAMP SANITARY CLAMP TYPE 3	
Size Range: 1 1/2" to 4" TUBE O.D.	
SIZE (TUBE O.D.)	ØA
1-1 1/2"	2.1"
2"	2.6"
2 1/2"	3.1"
3"	3.7"
4"	4.8"

MATERIAL PROPERTIES, TECHNICAL DATA

Material Properties - Technical Data				
Plastic Insert Material	Polypropylene	Polysulfone - Anchor	Polysulfone - Guide	Santoprene
Color	Blue	Black	Gray	Beige
Part Number Code	PP	PS	PG	SP
Mechanical Properties	Please contact Behringer for Product Data Sheets			
Thermal Properties	Please contact Behringer for Product Data Sheets			
Max. Temp. (Brief Exposure)	-22° to +215° F -30° to +102° C	-50° to +320° F -45° to +160° C	-50° to + 320° F -45° to + 160° C	-40° to +302° F -40° to +150° C
Operating Temp. (Continuous Exposure)	-22° to +194° F -30° to + 90° C	-50° to +320° F -45° to +160° C	-50° to + 320° F -45° to + 160° C	-40° to +275° F -40° to +135° C
Chemical Properties	Resistant to a wide range of chemicals Please contact Behringer for Product Data Sheets			

Metal Parts

- Surface finishing

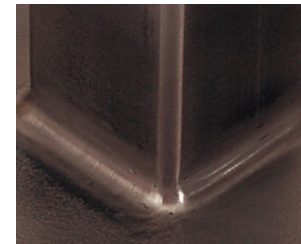
In addition to the standard surface finish, alternative finishes are available on request



**Group 1
Mill Finish**



**Group 2
Brushed**



**Group 3
Blended Weld**

- All metal parts made of mild carbon steel A-366CQ
(see order code - components)

- Stainless Steel Metal Parts

All metal parts are also available ex stock in two different stainless steel qualities:

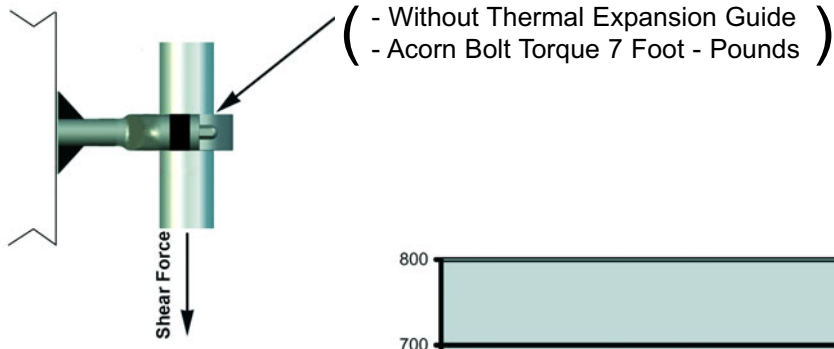
- Noncorrodible Stainless Steel
- Noncorrodible and acid resistant Stainless Steel

- Threads

All threaded parts are available with metric threads on request.

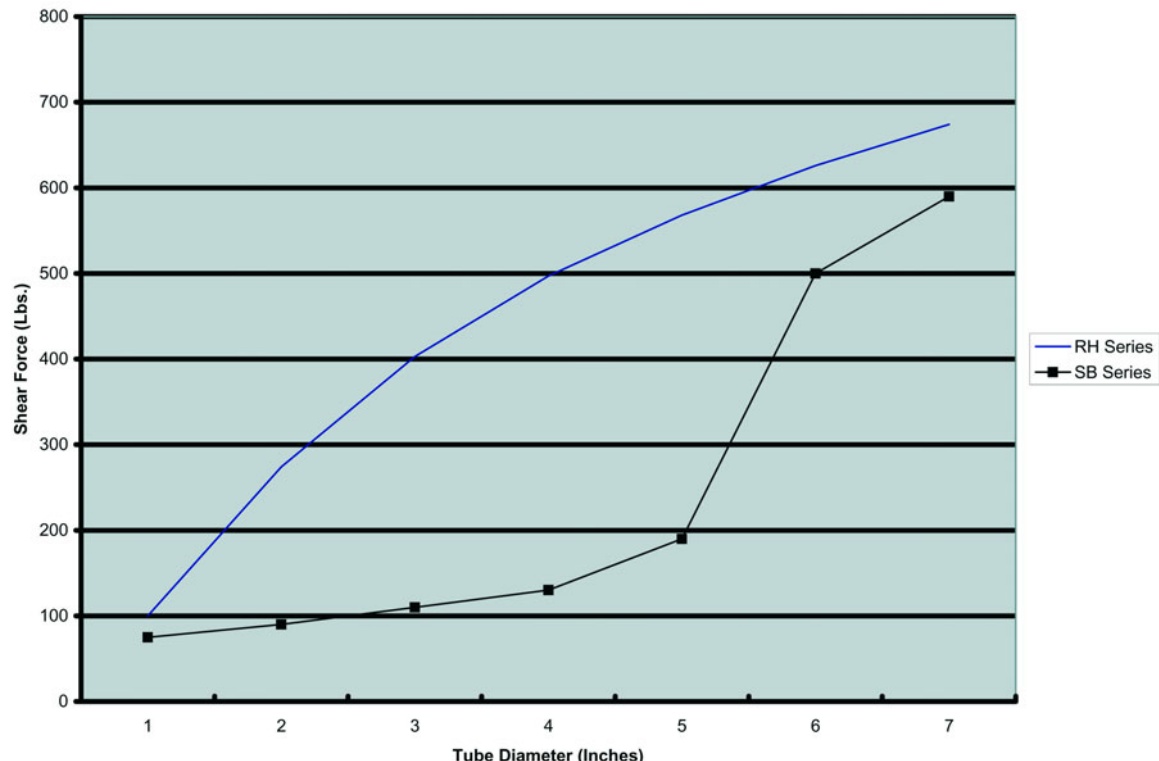
SLOPE CONVERSION CHART, SHEAR FORCE DIAGRAM

Table 1 - Slope by Percentage (%) (most accurate)			Table 2 - Slope by Degrees (°) (second accurate)			Table 2 - Slope by inches/foot (least accurate)			
Percent (%)	Degrees (°)	inches/foot	Degrees (°)	Percent (%)	inches/foot	inches/foot	decimal eq	Percent (%)	Degrees (°)
0.1	0.057	0.012	0.1	0.175	0.021	1/64	0.016	0.130	0.075
0.2	0.115	0.024	0.2	0.349	0.042	1/32	0.031	0.260	0.149
0.3	0.172	0.036	0.3	0.524	0.063	3/64	0.047	0.391	0.224
0.4	0.229	0.048	0.4	0.698	0.084	1/16	0.063	0.521	0.298
0.5	0.286	0.060	0.5	0.873	0.105	5/64	0.078	0.651	0.373
0.6	0.344	0.072	0.6	1.047	0.126	3/32	0.094	0.781	0.448
0.7	0.401	0.084	0.7	1.222	0.147	7/64	0.109	0.911	0.522
0.8	0.458	0.096	0.8	1.396	0.168	1/8	0.125	1.042	0.597
0.9	0.516	0.108	0.9	1.571	0.189	9/64	0.141	1.172	0.671
1.0	0.573	0.120	1.0	1.746	0.209	5/32	0.156	1.302	0.746
1.1	0.630	0.132	1.1	1.925	0.231	11/64	0.172	1.432	0.821
1.2	0.388	0.144	1.2	2.100	0.252	3/16	0.188	1.563	0.895
1.3	0.745	0.156	1.3	2.275	0.273	13/64	0.203	1.693	0.970
1.4	0.802	0.168	1.4	2.450	0.294	7/32	0.219	1.823	1.044
1.5	0.859	0.180	1.5	2.625	0.315	15/64	0.234	1.953	1.119
1.6	0.917	0.192	1.6	2.800	0.336	1/4	0.25	2.083	1.193
1.7	0.974	0.204	1.7	2.975	0.357	5/16	0.313	2.604	1.492
1.8	1.031	0.216	1.8	3.150	0.378	3/8	0.375	3.125	1.790
1.9	1.088	0.228	1.9	3.325	0.399	7/16	0.438	3.646	2.088
2.0	1.146	0.240	2.0	3.492	0.419	1/2	0.500	4.167	2.386



Pipe & Tube OD	Torque Ft lbs.
0.25" OD to 4.50" OD	7
6.00" OD to 8.00" OD	30

Note: Shear Force Valves may differ slightly for different operating circumstances



SPACING OF HANGERS

Hangers and/or supports shall be spaced as far apart as economically possible, with due consideration to assure that the sag of the pipe between supports is within limits that will permit drainage and also avoid excessive bending stresses from concentrated loads such as valves and in-line equipment. Contractor shall use the maximum recommended spacing between pipe support specified below. Spacing indicated below may differ from that listed in MSS SP- 69. Additional hangers may be necessary to adequately support concentrated loads such as valves, flanges, or instruments.

STEEL PIPE HANGER SPACING:

PIPE SIZE (IN)	MAXIMUM SPACING (FT)
1/2" & 3/4"	6
1" & 1-1/4"	8
1-1/2" & 2"	10
3"	12
4" - 16"	16

COPPER TUBING HANGER SPACING (includes schedule 10 pipe):

TUBING SIZE (IN)	MAXIMUM SPACING (FT)
3/8" - 3/4"	6
1" - 1-1/4"	8
1- 1/2" - 3"	10
4" - 8"	12

STAINLESS STEEL SANITARY TUBING HANGER SPACING:

TUBING SIZE (IN)	MAXIMUM SPACING (FT)
1/2" - 3/4"	6
1" - 1-1/2"	8
2" - 3"	10
4" - 6"	12

CAST IRON PIPE:

Maximum 5 ft spacing, place hanger close to joint.

PLASTIC PIPING:

Support in accordance with manufacturer's recommendations.



FIG. 150
SANITARY GASKETS



FIG. 105
TRANSFER PLATE
ASSEMBLY



FIG. 108
HANG STACK OF 2
CLAMP



FIG. 230
TURN BUCKLE



FIG. 65
CEILING MOUNTING
PLATE



FIG. 140
ROD WITH ONE OR
BOTH ENDS
THREADED



FIG. 107
THERMAL EXPANSION
FOR PLASTIC INSERTS



FIG. 147
JAM NUT

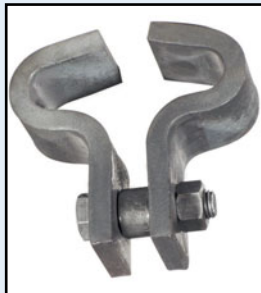


FIG. 134
HEAVY BEAM
ATTACHMENT

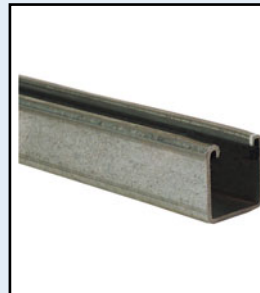


FIG. 112A 1-5/8 x 1- 5/8 SOLID STRUT CHANNEL
FIG. 112B 1-5/8 x 1-5/8 SLOTTED STRUT CHANNEL
FIG. 113A 1-3/16 x 1-5/8 SOLID STRUT CHANNEL
FIG. 113B 1-3/16 x 1-5/8 SLOTTED STRUT CHANNEL



FIG. 133
STANDARD BEAM
ATTACHMENT



FIG. 260
ADJUSTABLE CLEVIS
HANGER



FIG. 160
U-BOLT WITH SADDLE



FIG. 290:
RIGHT HAND THREAD
WELDLESS EYE NUT
FIG. 290L: LEFT
HAND THREAD
WELDLESS EYE NUT

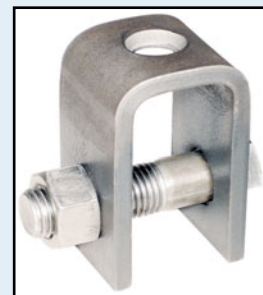


FIG. 66
WELDED BEAM
ATTACHMENT

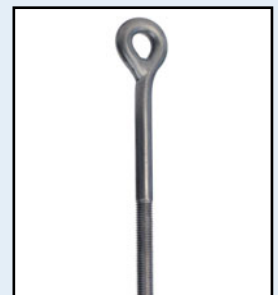


FIG. 278
EYE ROD WELDED

BEHRINGER®

For additional information visit
our Sanitary Section
on our Website:
[www.behringersystems.com/
BehringerSanitaryClamps.html](http://www.behringersystems.com/BehringerSanitaryClamps.html)

- Download pdf's
of all catalog items
- Autocad Drawings

For additional
information call:
973-948-0226
ask for inside sales

W of all catalog items

Lmin

L to be supplied
at 6" unless other
specified

BEHRINGER®

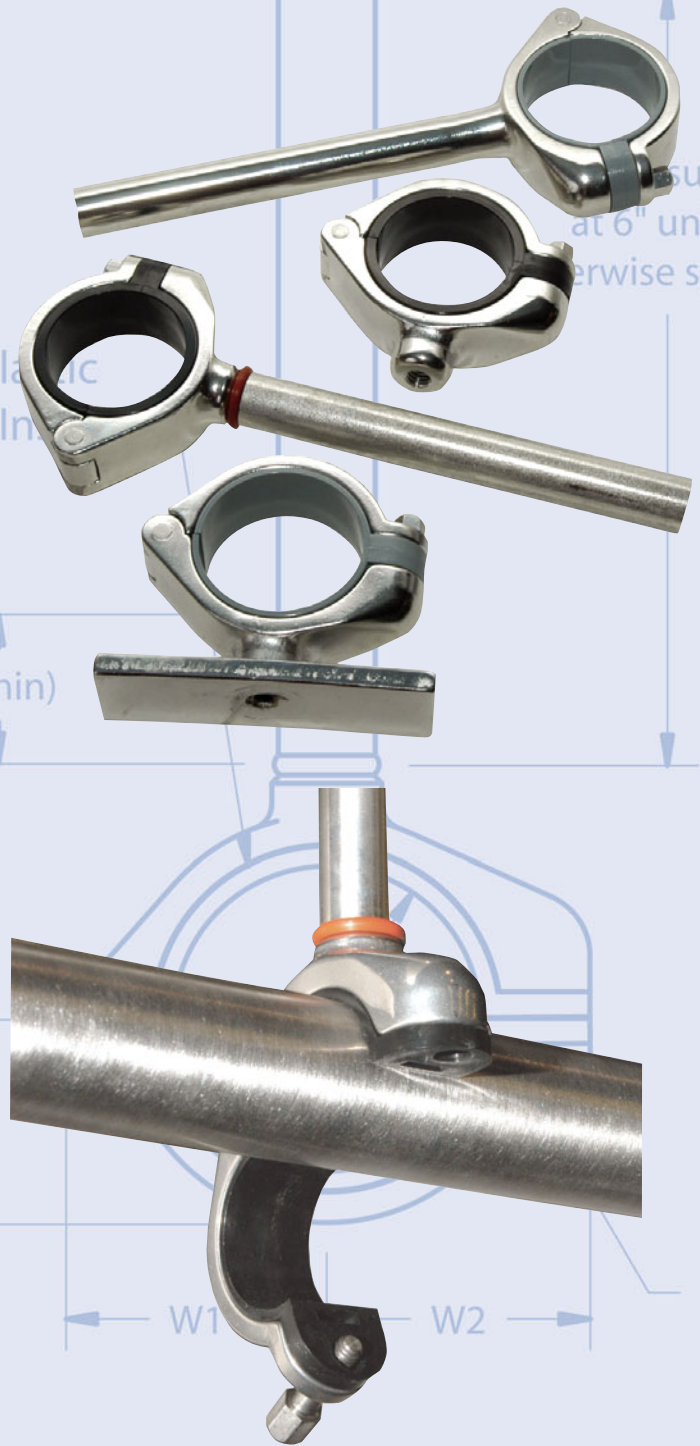
17 Ridge Road
Branchville, NJ 07826

Phone: 973-948-0226

Fax: 973-948-2562

www.behringersystems.com

Email: cserv@behringersystems.com



Your Local Stocking Distributor:

